



BEVERAGE-AIR

Curved Glass Open **BACOHM** horizontal merchandisers



CONSTRUCTION

- Base is a modular 16 ga. Pedestal construction
- ABS plastic filled with polyurethane foam
- ABS plastic front cover - no bumper guard required
- 1/2" curved acrylic sides for merchandising area
- Removable stainless steel Triple Tier display step shelf
- 115 volt "plug and play" operation
- Stainless steel top

FINISH

- Metal parts are finished with high quality powder coat paint
- Sides are constructed of ABS plastic
(choice of white or black - contact factory for availability)
- Stainless steel interior parts

REFRIGERATION

- Refrigerant R404a
- Microprocessor control system
- Full coverage air flow across merchandise
- Self-contained refrigeration system
- Temperature range 35° to 55°F*
- Front air intake/rear discharge for complete condenser cooling

*Optimum operation conditions - 75°F/55% R.H.

WARRANTY

- Standard 5 Year Limited Compressor Warranty
- 1 Year Limited Parts Warranty

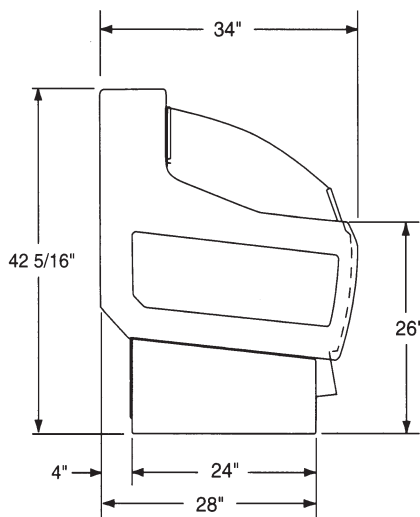
Carrier

BACOHM

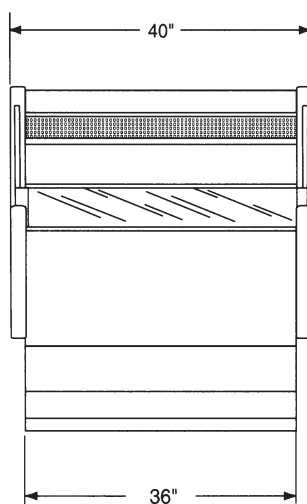
PART NUMBER	MODEL	DESCRIPTION	LENGTH	DEPTH w/ENDS	HEIGHT w/ENDS	VOLTS	AMPS	SHIP WEIGHT
52-1035-01	BACOHM3	3' Curved Glass Med Temp.	40"	34"	42 5/16"	115	10.0	423
52-1035-02	BACOHM4	4' Curved Glass Med Temp.	52"	34"	42 5/16"	115	10.0	505

MODEL	METRIC	SHELF AREA SQ. FT.	REFRIGERANT CHARGE (404A, OZ.)	KW - HR 24 HR	BTUH
BACOHM3	1016 x 864 x 1075	5.9	18 oz.	20	2850 BTU/HR
BACOHM4	1321 X 864 X 1075	7.9	25 oz.	25	3560 BTU/HR

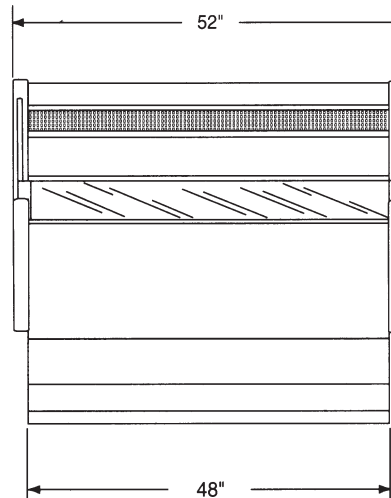
DIMENSIONS



COMMON END VIEW



BACOHM3 - Rear View



BACOHM4 - Rear View

ELECTRICAL CONNECTIONS

BACOHM3 and BACOHM4 both utilize 9 foot long, flexible black 3 wire, 14/3 SJT cord with black molded NEMA 5-15p plug.

