

"SPLASH PROOF"

ELECTRIC TABLE TYPE, ROUND,
15 GALLON (56 LITER)

MODEL: SET-15

Cleveland Standard Features

- High Efficiency Heating System with even heat distribution via Heating Elements cast into Aluminum, covering entire pan bottom
- Cooking Surface Guaranteed against warping
- Splash Proof
- Bead Blasted Cooking Surface resists sticking
- Adjustable, Thermostat Controlled Temperature from 175°F to 425°F
- Fast Heat-Up and Recovery Time
- Balanced Design Permits Easy Tilting; with left or right mounted Tilt Handle
- All Stainless Steel Construction for durability and easy cleaning
- Lift-Off Cover with Adjustable Vent
- Sanitary Base Mounting for Table Top Installation
- Standard 208 or 240 Volts, 60 Hz, 3 Phase, 3 Wire
- Self-Locking Marine Type Tilt Mechanism: Prevents accidental tilting
- Typical approvals include UL, CSA, CE and NSF

Options & Accessories

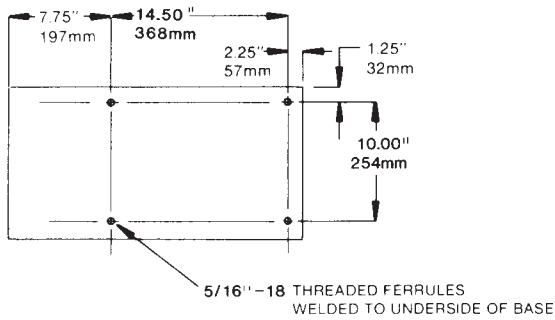
- Double or Single Pantry with Swing Spout (DPS) or (SPS)
- Faucet Bracket (FBSL)
- Poaching Pan (PPR)
- Vegetable Steamer (VS)
- 4" Stainless Steel Legs with adjustable feet (LTKS)
- Voltages other than standard (VOS)
- Stainless Steel Support Stands (ST28) with Sliding Drain Drawer and Splash Screen
- Food Strainer (FS-15-5)



Shown with optional Support Stand (ST28)

Short Form Specifications

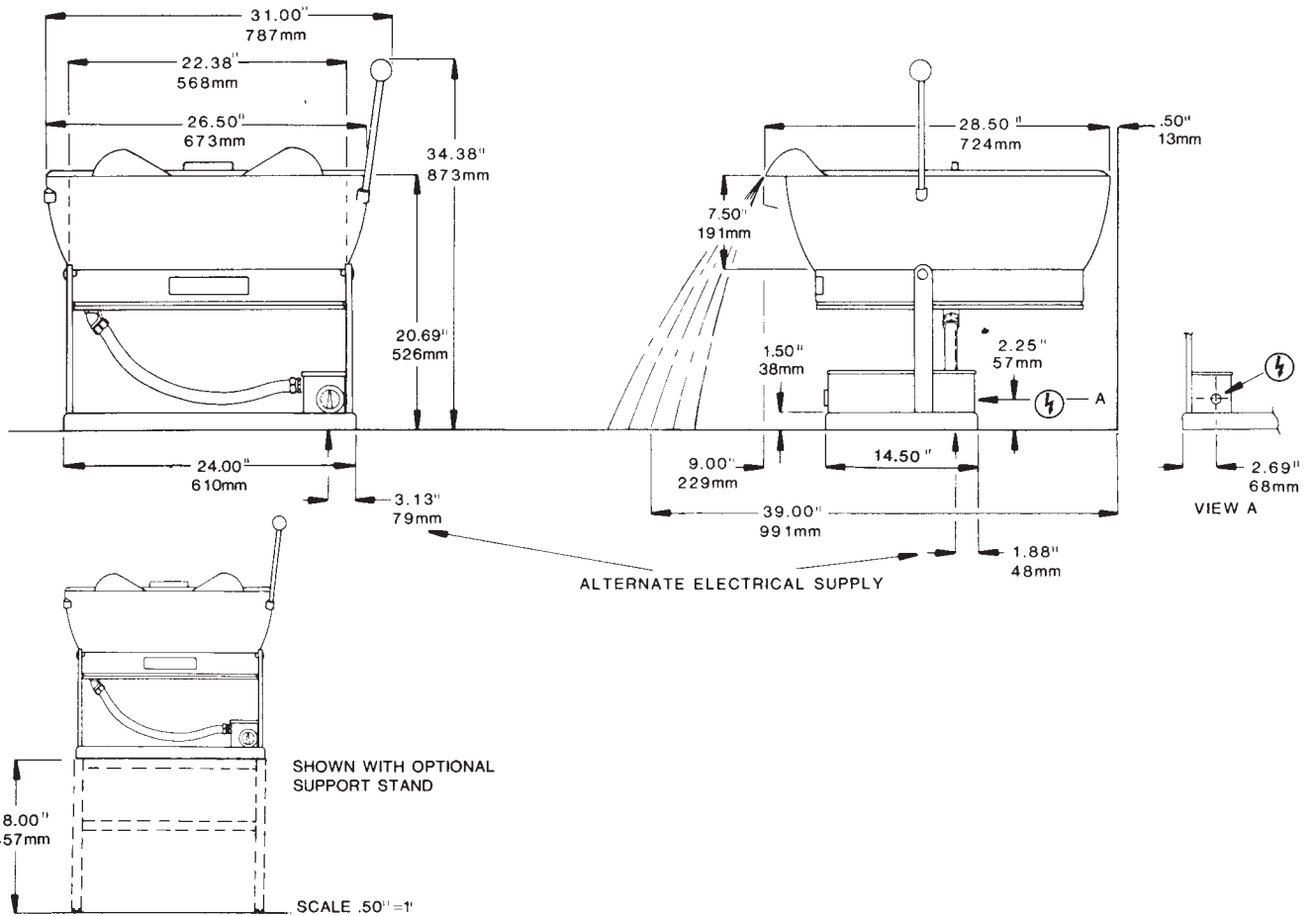
Shall be CLEVELAND, Round Tilting Skillet, Model SET-15; ____ KW ____ Volts, 15 Gallon Capacity (56 liters). Complete with: Thermostatic and Safety Controls; Bead Blasted Cooking Surface; Lift-Off Cover with adjustable Vent. All Stainless Steel Construction.



MOUNTING DIAGRAM
TOP VIEW

CAPACITIES

In 4 oz. servings. Other sizes may be calculated.
15 gallons / 56 Liters 480



ELECTRIC ⚡										CLEARANCE		
208 V			240 V			220/380 V			240/416 V			RIGHT = 4.00" LEFT = 4.00" REAR = 0.50"
KW	AMPS 1PH	AMPS 3PH	KW	AMPS 1PH	AMPS 3PH	KW	AMPS 1PH	AMPS 3PH	KW	AMPS 1PH	AMPS 3PH	
7.4	35.4	20.5	7.8	32.7	18.9	6.5	N/A	10.0	7.8	N/A	11.0	

DUAL VOLTAGE OF 220 / 380 SHOWN ON CHART REQUIRE A 4 WIRE, 3 PHASE ELECTRICAL SUPPLY.

NOTES:

Cleveland Range reserves right of design improvement or modification, as warranted.
Many regional, state and local codes exist and it is the responsibility of the owner and installer to comply with the codes.
Cleveland Range equipment is built to comply with applicable standards for manufacturers. Included among those approval agencies are U.L., NSF, CGA, CSA, ETL and others.

(NOT TO SCALE)
SECT. **XII** PAGE **4**
0707
Litho in U.S.A.