



VCT-25, VCT-50

Vertical Contact Toaster Models: VCT-25, VCT-50

The Vertical Contact Toaster, Models VCT-25 and VCT-50 are designed for contact toasting of buns.

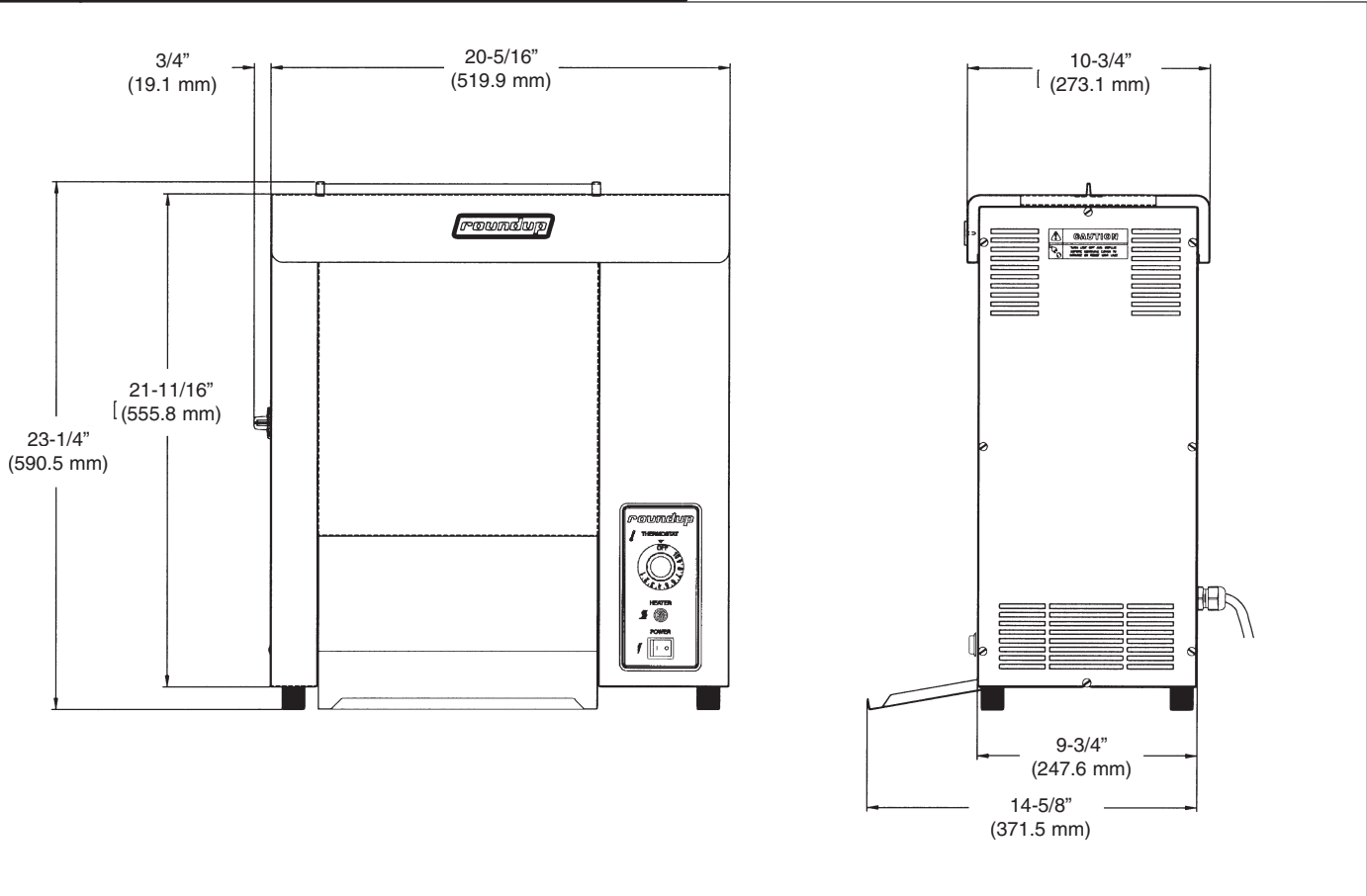
The toaster design allows the operator to place buns on both sides of the heated platen at the same time. Buns are placed into the top of the toaster and uniform, golden brown, warm buns are then retrieved at the bottom of the toaster.

Your Vertical Contact Toaster is manufactured from the finest materials available and is assembled to Roundup's strict quality standards. This unit has been tested at the factory to ensure dependable trouble-free operation.

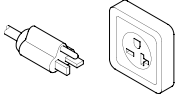

Features:

- Ease of Operation
- Easy to Clean/Maintain
- VCT-25 / 25 Second Pass Through Time. VCT-50 / 50 Second Pass Through Time
- Adjustable for Different Products
- Stainless Steel Construction for Long Life and Durability

Dimensions



Electrical Cord & Plug Configurations

| Letter Code* | Description | Configuration |
|--------------|-------------------------------|---|
| V | NEMA 6-20P 20 Amp, 250 VAC |  |
| C | Commercial Cord |  |

* Used in Model Designation

Electrical Ratings VCT-25

| Manufacturing No. | VAC | Watts | Amps | Hz |
|-------------------|---------|-----------|-----------|-------|
| 9200620 | 120 | 1750 | 14.6 | 50/60 |
| 9200628 | 208-230 | 1933-2300 | 12.5-14.4 | 50/60 |

Electrical Ratings VCT-50

| Manufacturing No. | VAC | Watts | Amps | Hz |
|-------------------|---------|-----------|-----------|-------|
| 9200600 | 120 | 1750 | 14.6 | 50/60 |
| 9200608 | 208-230 | 1933-2300 | 12.5-14.4 | 50/60 |