



Our main ingredient is value

7510

7510

DURO™ SLICER

NEW! – EXTRA-WIDE 1 3/16" CUT

Deli-Style meats and cheeses require a heavy duty 10" Slicer or larger. The Duro 7510 Slicer by Univex offers maximum weight and horsepower...the keys to precision slice production. A redesigned slice control mechanism now allows slices up to 1 3/16" thick. As with all Univex Slicers, the Duro 7510 comes with a German hollow ground cutting blade and built-in sharpener.



WARRANTY

The Model 7510 Duro Slicer carries a one-year, on-site parts and labor warranty against any flaws in materials and workmanship. This period begins with the date of purchase and, provided the unit is used properly in accordance with our instructions, is in full effect for one year from that date. Any work to be performed under this warranty must be performed between the hours of 8:00 a.m. and 5:00 p.m. local time, Monday through Friday. Univex will not pay overtime charges for work performed other than during normal business hours. Damages incurred in transit or from installation error, accident, alteration or misuse are not covered. Transit damages should be reported to the carrier immediately. Univex shall not be liable for any consequential, compensatory, incidental, or special damages. Contact Univex Service Department for any warranty claims.



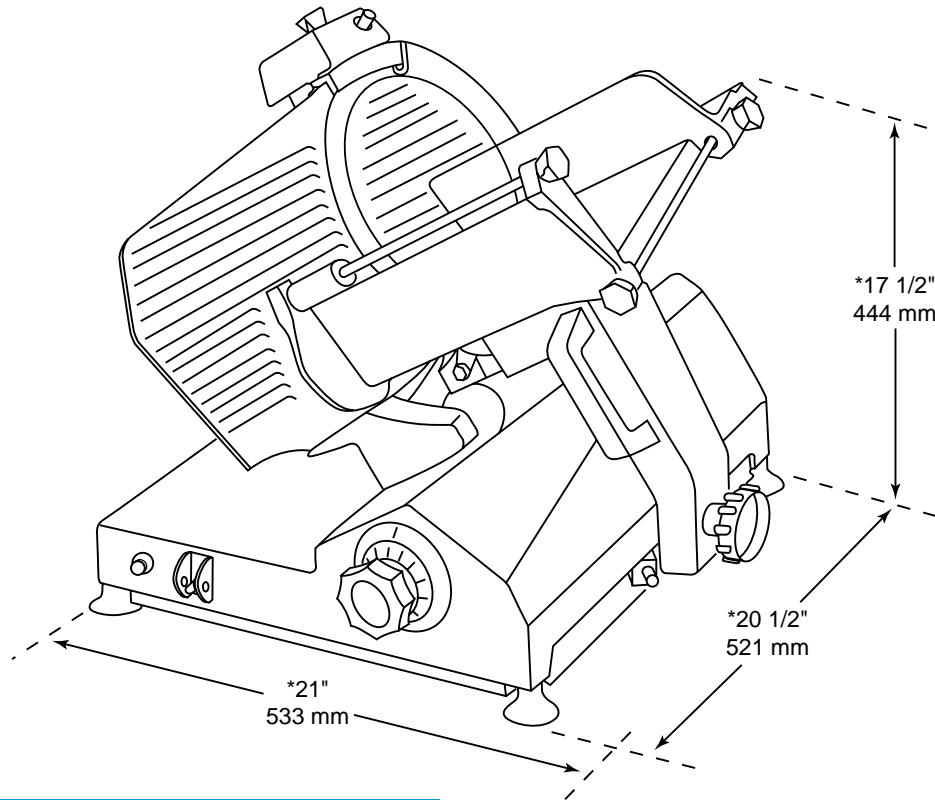
UNIVEX CORPORATION ■ 3 Old Rockingham Road ■ Salem, NH 03079-2140
Tel 603-893-6191 ■ Fax 603-893-1249 ■ E-mail univex@univexcorp.com
TOLL-FREE ORDERING FAX 1-800-356-5614
www.univexcorp.com

April 2005
Printed in USA

DURO™ SLICER

7510

NEW EXTRA WIDE 1 3/16" CUT



7510

SPECIFICATIONS

ELECTRICAL:	115/60/1* - 3.9 Amps *Consult Price List or factory for special voltages
MOTOR:	1/3 HP Capacitor start, capacitor run, 1625 RPM
SPEED:	Blade Speed = 475 rpm.
CARRIAGE:	Manual Operation
FINISH:	Polished Anodized Aluminum

PRODUCT CUT:

Max. Width per stroke	6 1/2"	165mm
Max. Length per stroke	9"	229mm
Max. Thickness per stroke	1 3/16	30mm

STANDARD EQUIPMENT:	10" (251mm) German hollow ground hardened steel, high carbon chrome plated blade. Built-in sharpener. Pilot Light indicating Knife and Motor (ON). Heavy duty multi-position meat holder.
NET WEIGHT:	74 lbs. (33kg)
SHIPPING WEIGHT:	85 lbs. (39kg)
CUBE:	8.9 cu. Ft. (25 cu. M)



UNIVEX CORPORATION ■ 3 Old Rockingham Road ■ Salem, NH 03079-2140
Tel 603-893-6191 ■ Fax 603-893-1249 ■ E-mail univex@univexcorp.com
TOLL-FREE ORDERING FAX 1-800-356-5614
www.univexcorp.com

April 2005
Printed in USA