

DUKE®

613Q-E4 CONVECTION OVEN



CATALOG NO. 9517

with 50/50 independent doors

double section - deep depth

OVERALL DIMENSIONS:

Height: 70-1/2", includes 8" legs

Width: 38"

Depth: 43-1/2"

Cavity Dimensions: 29"W x 24"H x 28"D

STANDARD FEATURES:

Stainless steel front, sides and top. 20% larger interior cavity than industry standard, 13 rack positions with 1-11/16" spacing, 6 racks supplied as standard, porcelainized interior finish with 7/8" covered corners, simultaneously opening doors and 8" angular stainless steel legs with adjustable feet. Two speed blower motor.

OVEN SECTIONS:

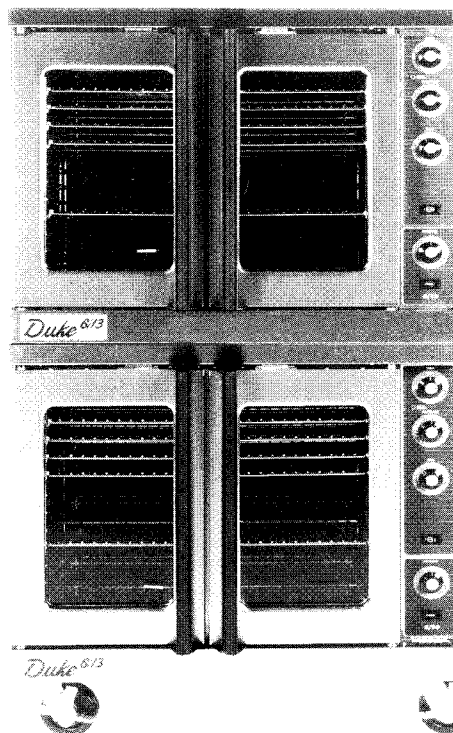
Stainless steel front, sides and top. 50/50 stainless steel doors with double pane glass in both doors. Stainless steel interior door liners and door gaskets. Doors mounted on full length solid steel shafts and bronze bushings. Interior lighting (2, 50 watt, 115v bulbs). Bottom, sides and back fully insulated with 1-1/2" thick insulation, top to have 3" thick insulation.

ELECTRICAL INFORMATION:

11 KW input, 1/2 HP two speed blower motor. ON-OFF-COOL DOWN switch. Fused to protect against overload.

OTHER OPTIONS:

Solid stainless steel door in lieu of glass, stainless steel interior, stainless steel back panel, 8" stainless steel legs, casters, porcelain drip tray, field stacking kit (8" legs and flue connector), Pulse Fan option ("W" control only), high voltage (380/415/440/480), seismic feet, double stack oven - shipped assembled, extra oven racks and extended warranty (2 years parts and labor).



shown on optional casters

CONTROL OPTIONS: must pick one

"___V" — Basic snap action thermostat (200°-500°F) and 60 minute electric dial timer with continuous sounding buzzer, and 2-speed fan.

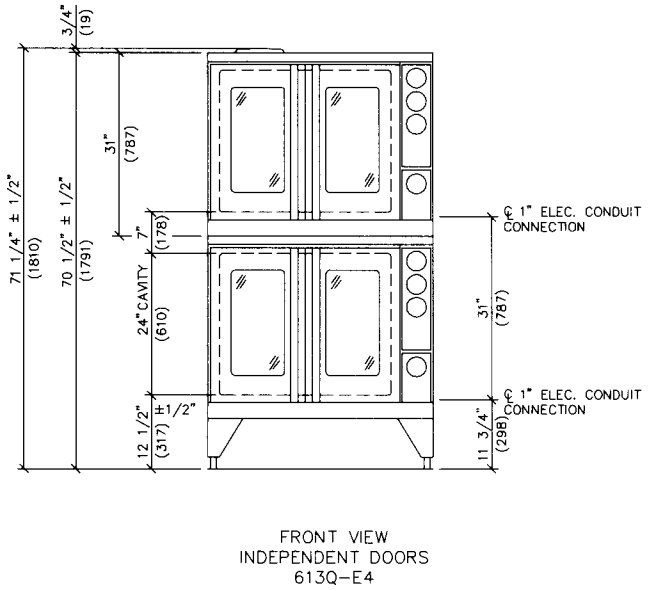
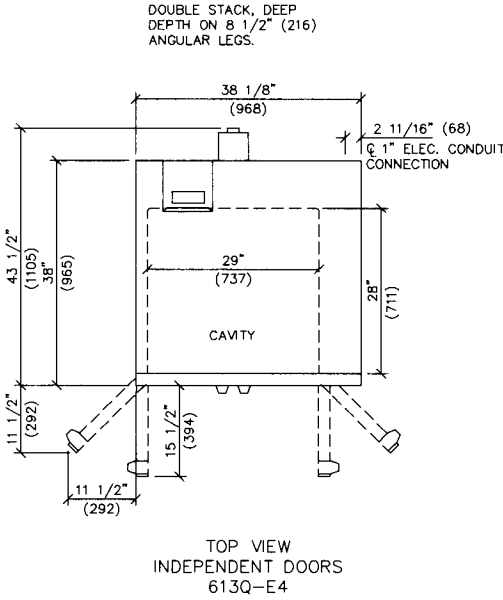
"___W" — Solid state digital time and temperature controls, knob adjustable 12 hour countdown timer, and 2-speed fan.

"___X" — **Cook and Hold**, solid state time and temperature, 12 hour countdown timer, and 2-speed fan.

"___Z" — Five programmable menu buttons, knob adjustable solid state digital time and temperature controls, 12 hour countdown timer, **Cook and Hold** feature and 2-speed fan.

"___ZX" — Five programmable buttons, 5-rack ID timers, knob adjustable solid state digital time and temperature controls, 12 hour countdown timer, and 2-speed fan.

"___ZZ" — Sixteen programmable menu buttons, 5 rack ID timers, push button control with solid state digital time and temperature control, manual mode, **Cook and Hold**, **Fan Delay Gentle Pulse**, 2-speed fan and auxiliary back up thermostat control system.



Model	Depth		Width		Height		Cube crated ft. per section	Weight	
	in.	cm	in.	cm	in.	cm		lbs.	kg
613Q-E4	43-1/2	110.5	38	96.5	70-1/2	179.1	56.0	1020	464

Model	KW per section	Electrical Specifications			Crated Dimensions per section
		Voltage per section	Amperage per section		
613Q-E4	11	208/1	52.8	L - 51" W - 42-1/2" H - 39"	
		208/3	30.5		
		240/1	45.8		
		240/3	26.5		
		480/3	13.3		

- OPTIONS:**
- Solid stainless steel door
 - Casters
 - Seismic feet
 - Stainless steel interior
 - Porcelain drip tray
 - Double stack oven - shipped assembled
 - Stainless steel back enclosure panel
 - Field stacking kit
 - Extra oven racks
 - 8" stainless steel legs
 - Pulse Fan option ("W" control only)
 - Extended warranty
 - High voltage

Specifications subject to change