

# Duke Specifications

F.O.B. St. Louis, Missouri 63102



613-E1V

#### OPTIONS:

- Solid stainless steel door
- Stainless steel interior
- 27" stainless steel angular legs
- Open leg base, stainless steel, w/rack guides
- Stainless steel back enclosure panel
- Seismic feet
- Field stacking kit
- High voltage (380/415/440/480)
- Casters
- Porcelain drip tray
- Extra oven racks - standard and deep depth
- Prison package - tamper proof screws, lexan hinged cover with lockable clasp
- Extended warranty

#### AGENCY LISTINGS:



DUKE MANUFACTURING CO.  
P. O. Box 5426  
St. Louis, MO 63147-0230

800.735.3853 Toll Free  
314.231.1130 In Missouri  
314.231.5074 Fax  
www.dukemfg.com



"Your Solutions Partner"

#### PROJECT INFORMATION:

PROJECT: \_\_\_\_\_  
ITEM: \_\_\_\_\_  
QUANTITY: \_\_\_\_\_

#### MODEL:

Duke Convection Ovens  
Single Section - Standard Depth - Electric

- 613-E1** - Single section, standard depth

#### STANDARD FEATURES:

- 6 racks/13 rack positions
- Porcelain interior
- 65/35 stainless steel doors
- Double pane glass in 65 door
- 27" angular painted legs

#### OVEN SECTIONS:

- Stainless steel front, sides and top
- 1-1/2" insulation on bottom, sides, back
- 3" insulation on top

#### OVEN CONTROLS:

- "V" - Basic snap action thermostat (200°-500°F), 60 minute electric dial timer with continuous sounding buzzer, 2-speed fan
- "X" - Solid state digital time and temperature controls, 12-hour countdown timer, **Cook and Hold** feature, 2-speed fan, Pulse fan capability
- "Z" - 5 programmable menu buttons, solid state digital time and temperature controls, 12 hour countdown timer, **Cook and Hold** feature, 2-speed fan
- "ZX" - 5 programmable menu buttons, 5 rack ID timers, solid state digital time and temperature controls, 12-hour countdown timer, 2-speed fan
- "ZZ" - 10 programmable menu buttons, 5-rack ID timers, computerized digital time and temperature controls, **Cook and Hold** feature, 2-speed fan, Pulse Fan capability

#### SHORT FORM SPECIFICATIONS:

Duke Convection Ovens - Electric - Single Section - Standard Depth. Front, sides, top, door, interior door liners and door gaskets shall be constructed of stainless steel. Porcelain interior finish, with 6 racks and 13 rack position, and 7/8" covered corners. Unit shall have simultaneously opening doors and 27" angular painted legs with adjustable feet. Two speed blower motor. Unit shall have 65/35 stainless steel doors with double pane glass in 65 door. Doors shall be mounted on full length solid steel shafts and bronze bushings. Interior lighting to be (2) 50 watt, 115v bulbs. Bottom, sides and back shall be fully insulated with 1-1/2" thick insulation, top to have 3" thick insulation. Units shall have 11 KW input, with 1/2 HP, 2-speed blower motor. An ON-OFF-COOL DOWN switch shall be supplied. Unit to be fused to protect against overload. Overall dimensions of unit shall be: 60" height, including 27" legs, 38" width, depth of 39-1/2" and cavity dimensions of 29"W x 24"H x 24"D.

# DUKE®

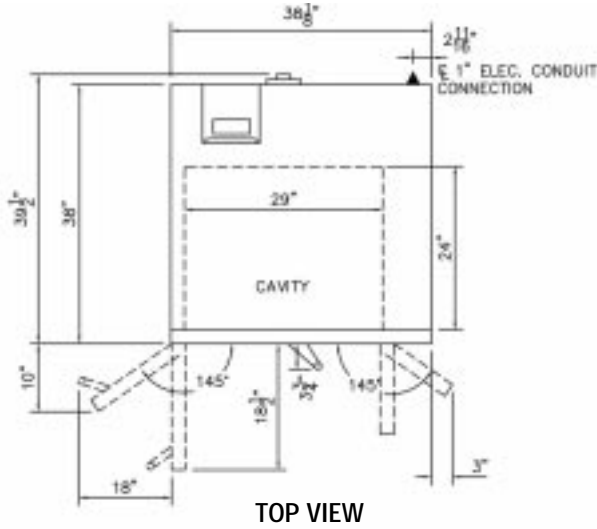
## DUKE CONVECTION OVENS SINGLE SECTION - STANDARD DEPTH - ELECTRIC

□ 613-E1 - Single section, standard depth

A.I.A. File No. 35-C-13

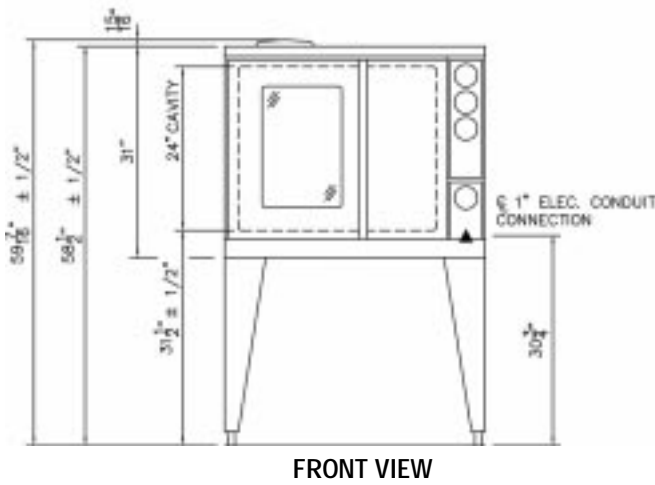
Catalog No. DCO-ELECSS

DUKE CONVECTION OVENS - SINGLE - STANDARD DEPTH - ELECTRIC



Electrical Specifications - Per Section				
	208V Amps	240 V Amps	408 V Amps	KW
1 Phase	52.8	45.8	n/a	11.0
3 Phase	30.5	26.5	13.3	11.0

▲ - Electric connection point



**DIMENSIONS:**

Freight Class: 85

Model	Depth front view		Width		Height top view		Cube ft. crated	Weight	
	in.	cm	in.	cm	in.	cm		lbs.	kg
613-E1	39-1/2	100.3	38	96.5	60	152.4	59.6	505	230.0



**"Your Solutions Partner"**

DUKE MANUFACTURING CO.  
P. O. Box 5426  
St. Louis, MO 63147-0230

800.735.3853 Toll Free  
314.231.1130 In Missouri  
314.231.5074 Fax  
www.dukemfg.com

10/99

Specifications subject to change

Printed in U.S.A.  
© 1999, Duke Manufacturing Co.