



# endura

## InLine Drain Strainer

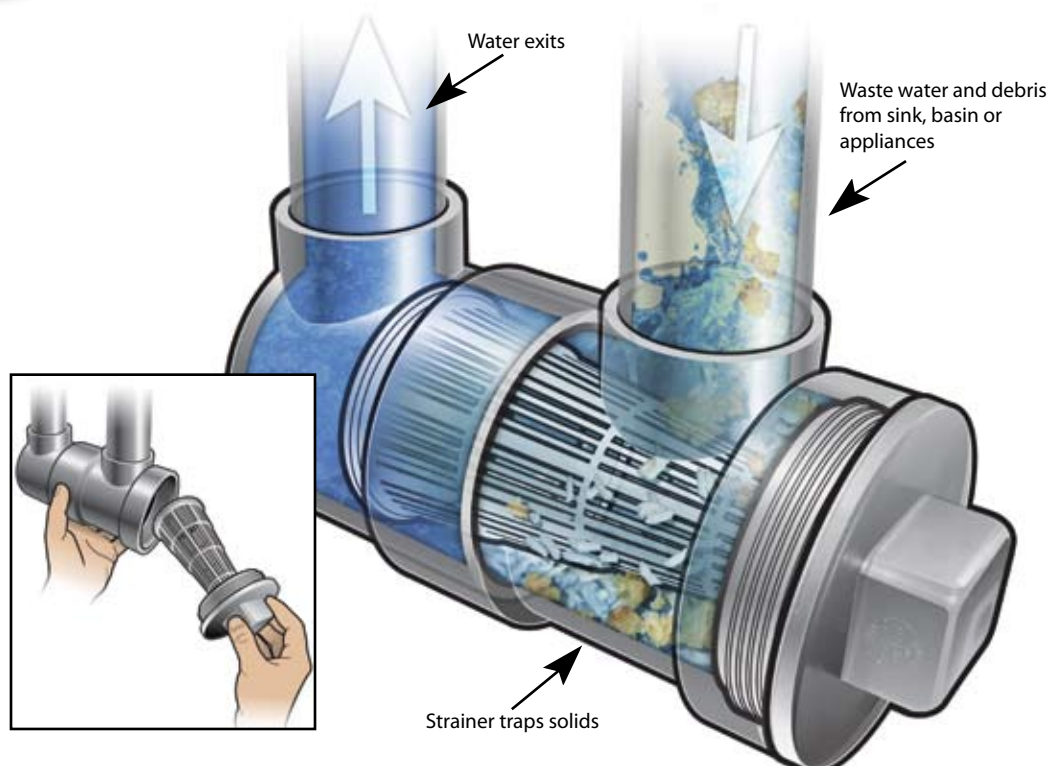
Installed on individual sink wastes in kitchen and sanitary applications, the Endura® InLine Drain Strainer (IDS) prevents food debris, hair, lint and similar solid material from entering the drainage system, causing restriction and blockage.

### Applications Include:

- Domestic & Commercial Kitchens
- Hair & Beauty Salons
- Barber Shops
- Pet Grooming Parlors
- Motels
- Dormitories

and...

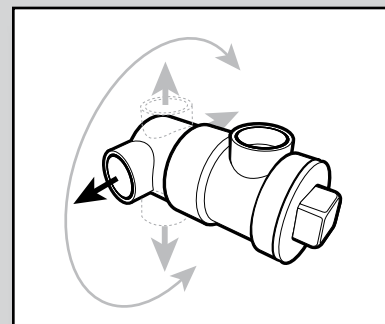
Safeguards against the loss of valuable items such as rings & jewelry



### Proven Design

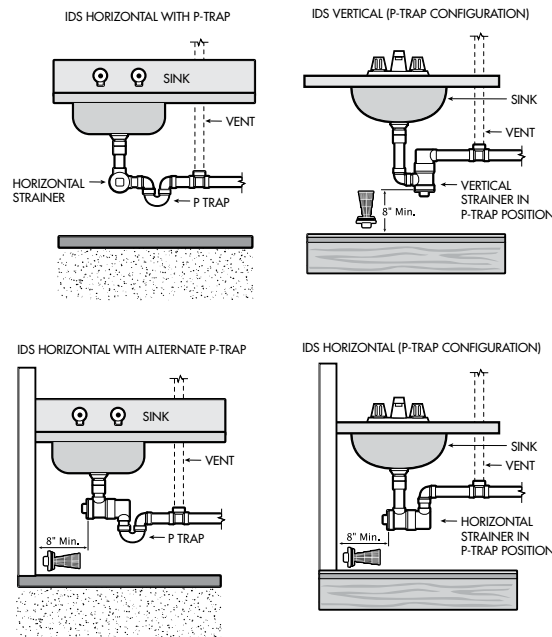
Manufactured from durable ABS and based on the proven design of a drum trap, the Endura IDS offers complete flexibility of installation either horizontal or vertical, the outlet being able to be set anywhere in a 360° range.

The filter screen, assembled as an integral part of the access cap, has 10 times the open area of the inlet and outlet connections extending the interval of cleaning and providing easy, non-contact removal of captured debris. Simply unscrew, withdraw, tap and replace – That's it!



Fitted in conjunction with or in place of a P-trap, the Endura IDS can be used in applications where space is at a premium, providing ease of access to the end user. As a development of a specialty plumbing fitting, dimensionally the Endura IDS is manufactured in accordance with the performance and dimensional requirements of North American plumbing systems.

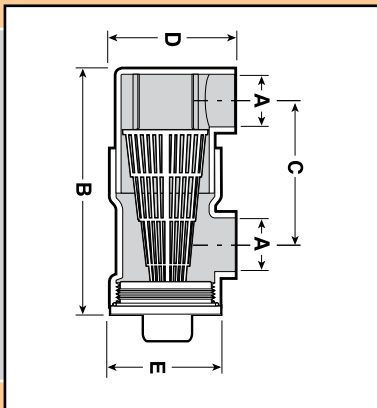
### Typical Installation



Unlike competitive products the body of the Endura IDS is supplied 'loose-assembled'. This means that when it comes to installation the installer retains the full benefit of being able to orientate the outlet to suit the installation, only solvent welding the main joint when the location and orientation have been confirmed. Be it a domestic or commercial application these four images show typical IDS installations.

### Installation Awareness

Regardless of the application, when installing the Endura IDS, at least 8" of clearance must remain in the direction of strainer removal. This will allow sufficient space for a catch container to collect any water or debris held in the unit, depending on its orientation.



### Product Dimensions

Endura® In-Line Drain Strainer					
Part Number	A	B	C	D	E
393243A	2.0"	9.1"	4.9"	4.3"	3.9"

Endura® IDS is sized to accept connection width 1-1/2" diameter DWV pipe. If connecting PVC pipe to this fitting, a suitable transition cement should be used.

**Canplas Industries Ltd.**  
P.O. Box 1800, 500 Veterans Drive  
Barrie, Ontario  
Canada L4M 4V3  
Tel: (705) 726-3361  
Toll Free: 1-800-461-5300  
Fax: (705) 726-2186  
Website: [www.canplasplumbing.com](http://www.canplasplumbing.com)  
Email: [plumbing@canplas.com](mailto:plumbing@canplas.com)

**Canplas LLC**  
11402 East 53rd Ave.  
Suite 200, Denver, CO  
U.S.A. 80239  
Tel: (303) 373-1918  
Toll Free: 1-888-461-5307  
Fax: (303) 373-1923  
Website: [www.canplasplumbing.com](http://www.canplasplumbing.com)  
Email: [denver.sales@canplas.com](mailto:denver.sales@canplas.com)