



T&S BRASS AND BRONZE WORKS, INC.

2 SADDLEBACK COVE / P.O. BOX 1088 / TRAVELERS REST, SC 29690

PHONE 800-476-4103

FAX 864- 834-3518



REG.#A2601
ISO #9002

Model No.

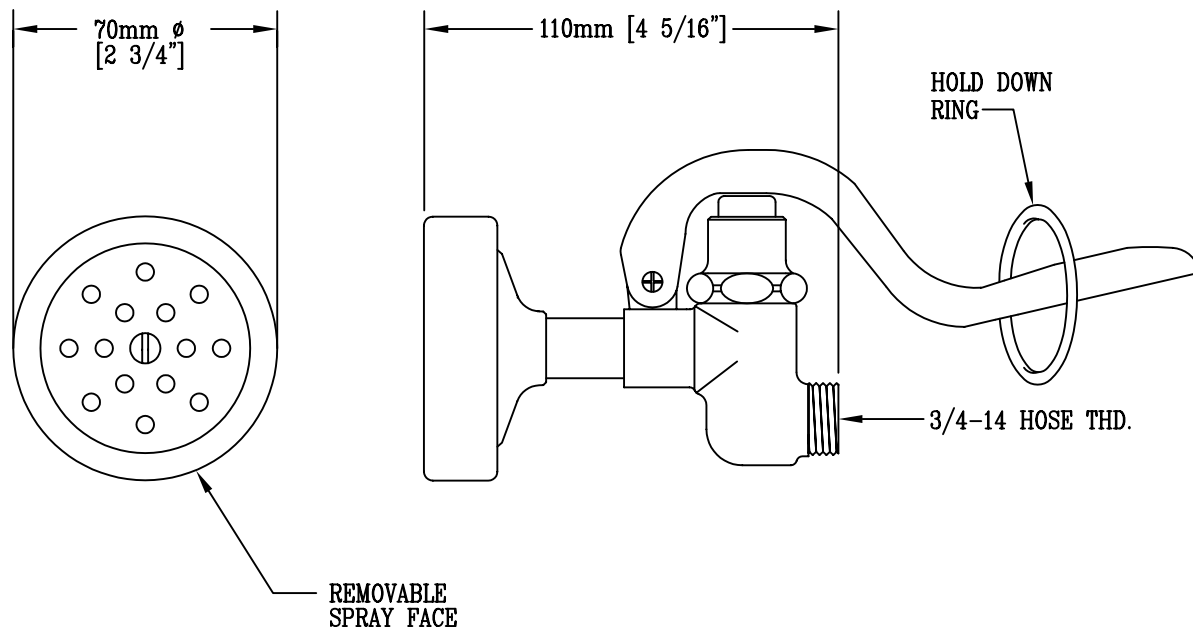
EB-0107

Item No.:

Job Name:

Architect/Engineer Approval:

Notes:



Product Description:

SPRAY VALVE ASM w/ BLUE RUBBER BUMPER & HANDLE

Drawn:

DMA

Approved

MVW

Checked

MVW

Scale:

1 : 2

Date:

8/25/99