



T&S BRASS AND BRONZE WORKS, INC.  
 2 SADDLEBACK COVE / P.O. BOX 1088 / TRAVELERS REST, SC 29690  
 PHONE 800-476-4103 FAX 864-834-3518

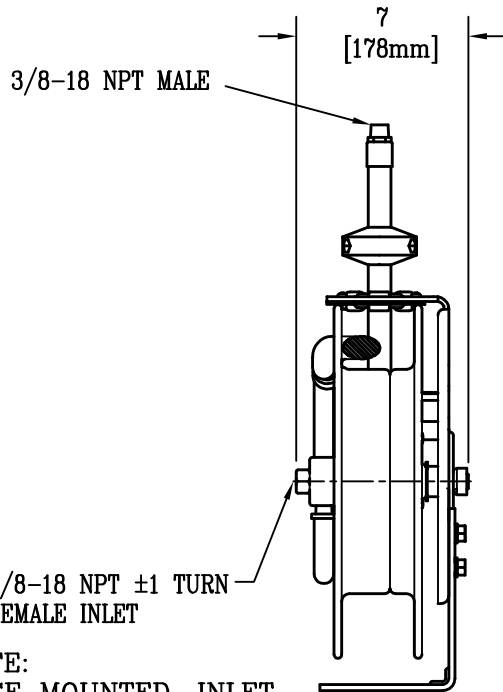


Model No.  
 B-7232-01  
 Item No.:

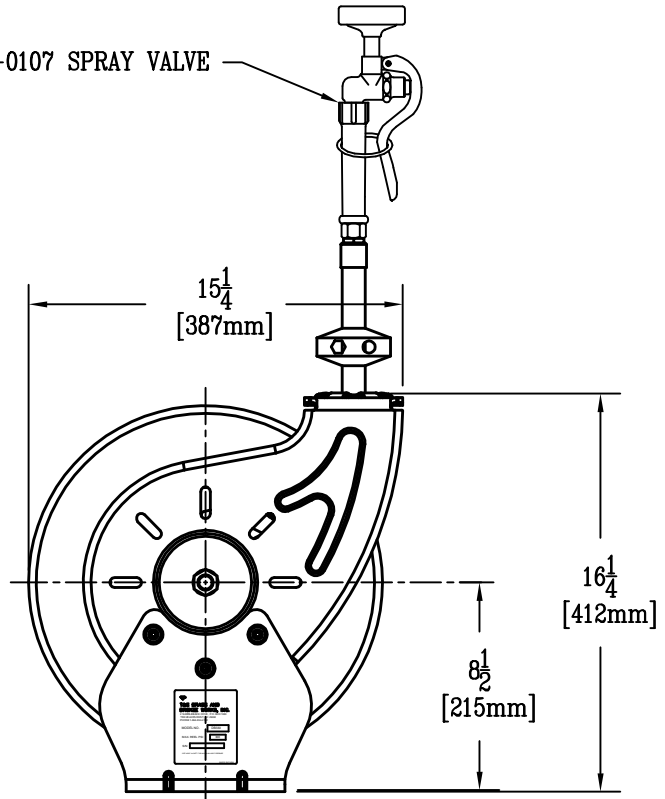
Job Name:

Architect/Engineer Approval:

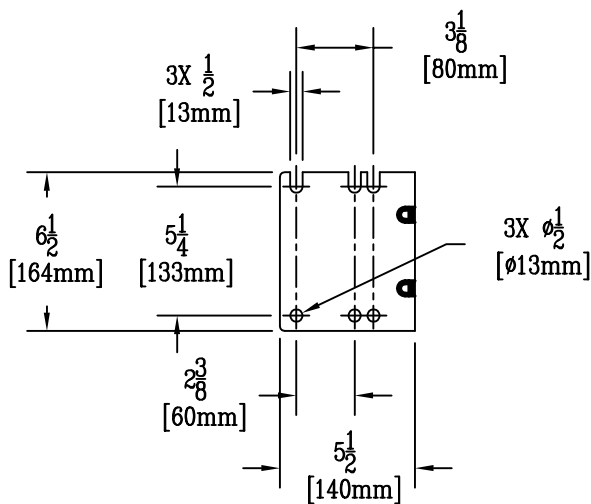
Notes:



EB-0107 SPRAY VALVE



NOTE:  
 ONCE MOUNTED, INLET  
 ON LEFT-HAND SIDE



Product Description:  
 HOSEREEL, OPEN, EPOXY POWDER COATED STEEL  
 35 FT OF 3/8 DIA. BLUE HOSE AND  
 EB-0107 SPRAY VALVE

Drawn:

JRM

Checked:

JHB

Scale:

1 : 8

Approved:

JHB

Date:

6/09/05