



T&S BRASS AND BRONZE WORKS, INC.
 2 SADDLEBACK COVE / P.O. BOX 1088 / TRAVELERS REST, SC 29690
 PHONE 800-476-4103 FAX 864-834-3518

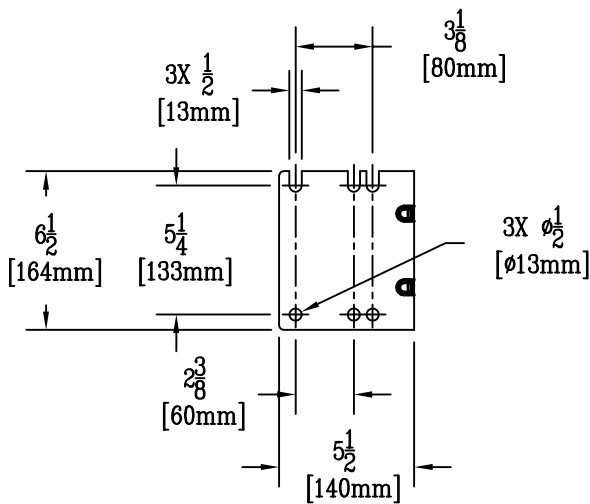
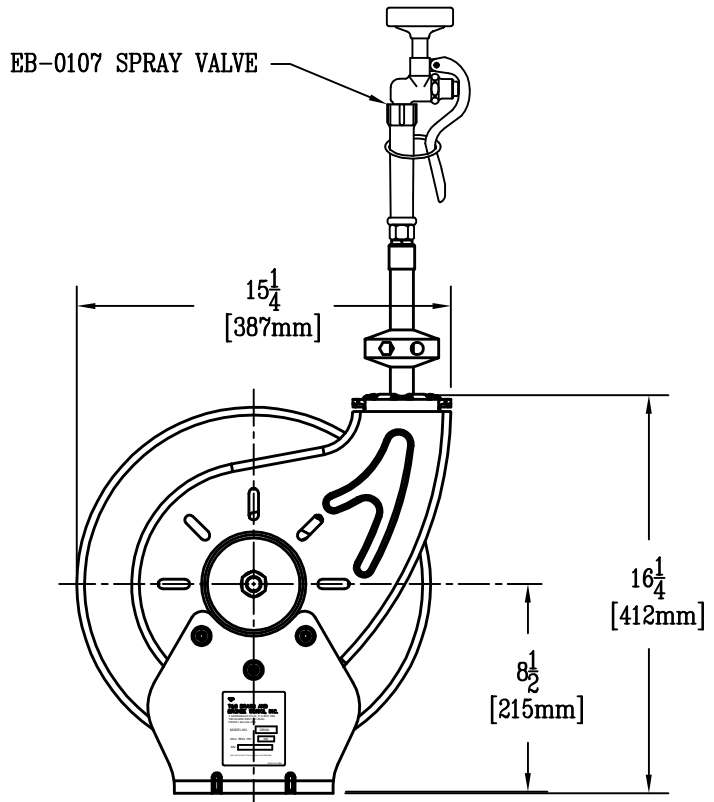
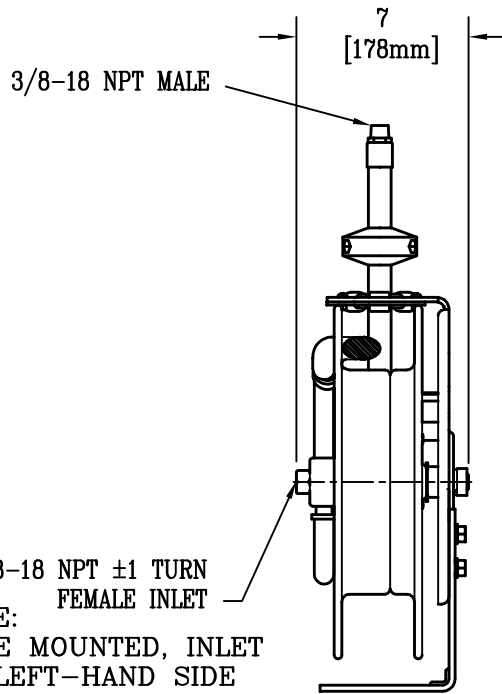


Model No.
 B-7132-01
 Item No.:

Job Name:

Architect/Engineer Approval:

Notes:



Product Description:
 HOSEREEL, OPEN, STAINLESS STEEL
 35 FT OF 3/8 DIA. BLUE HOSE AND
 EB-0107 SPRAY VALVE

Drawn: JRM	Checked JHB	Scale: 1 : 8
Approved JHB	Date: 6/9/05	