

T&S BRASS AND BRONZE WORKS, INC.

2 SADDLEBACK COVE / P.O. BOX 1088 / TRAVELERS REST, SC 29690

PHONE 800-476-4103

FAX 864-834-3518



REG.#A2601
ISO #9002

Model No.

B-2742

Item No.:

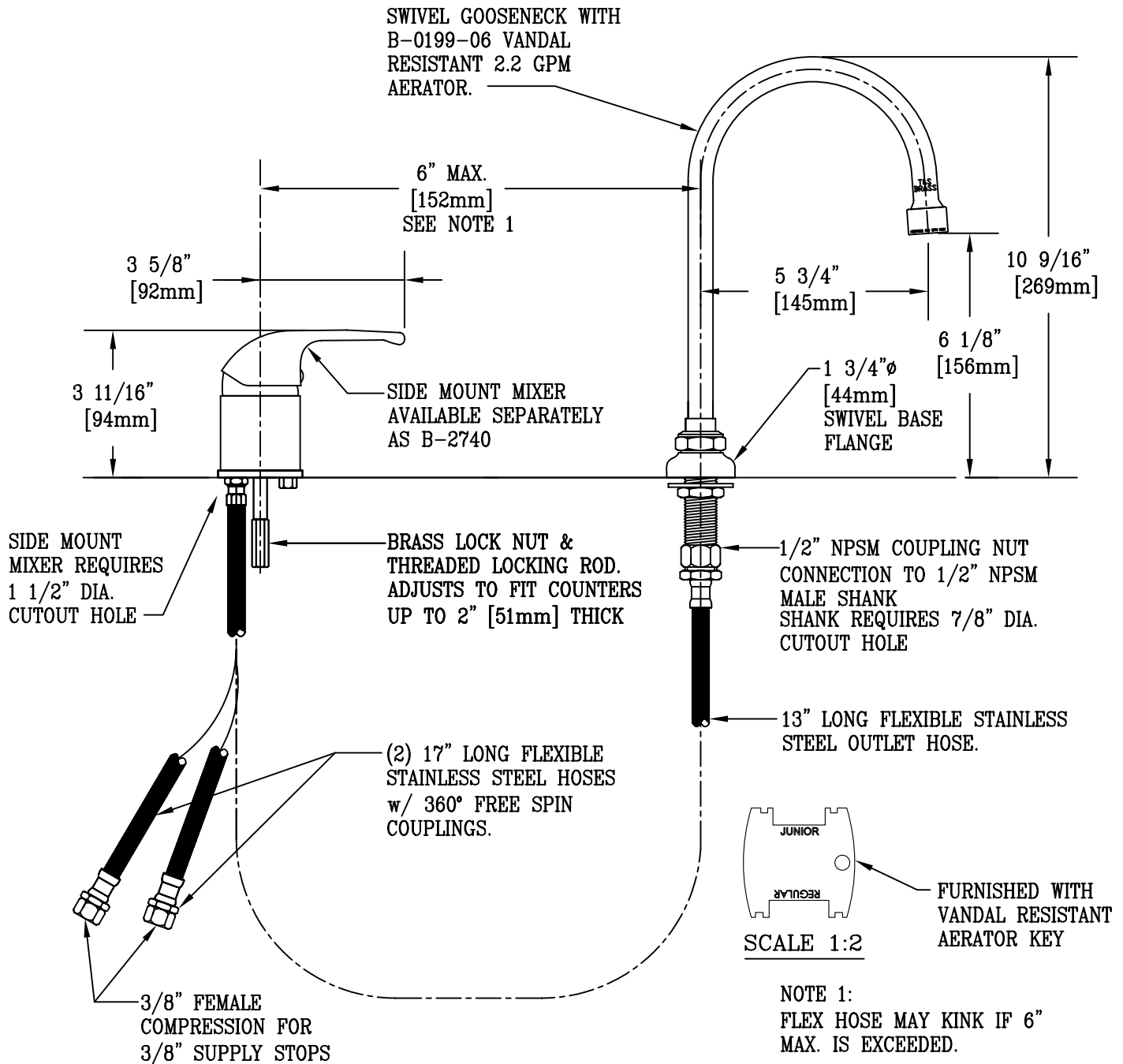
Job Name:

Architect/Engineer Approval:

Notes:



ADA COMPLIANT



Product Description:
SIDE MOUNT FAUCET:
REMOTE CONTROL BASE w/ FLEXIBLE STAINLESS STEEL WATER CONNECTORS,
w/ CERAMIC CARTRIDGE, SWIVEL GOOSENECK, & B-0199-06 VANDAL RESISTANT 2.2 GPM AERATOR

| | | |
|-----------|----------|--------|
| Drawn: | Checked: | Scale: |
| BHR | DHL | 1:4 |
| Approved: | Date: | |
| JHB | 7/11/07 | |