

T&S BRASS AND BRONZE WORKS, INC.

2 SADDLEBACK COVE / P.O. BOX 1088 / TRAVELERS REST, SC 29690

PHONE 800-476-4103

FAX 864- 834-3518



REG. #A2601  
ISO #9002

Model No.

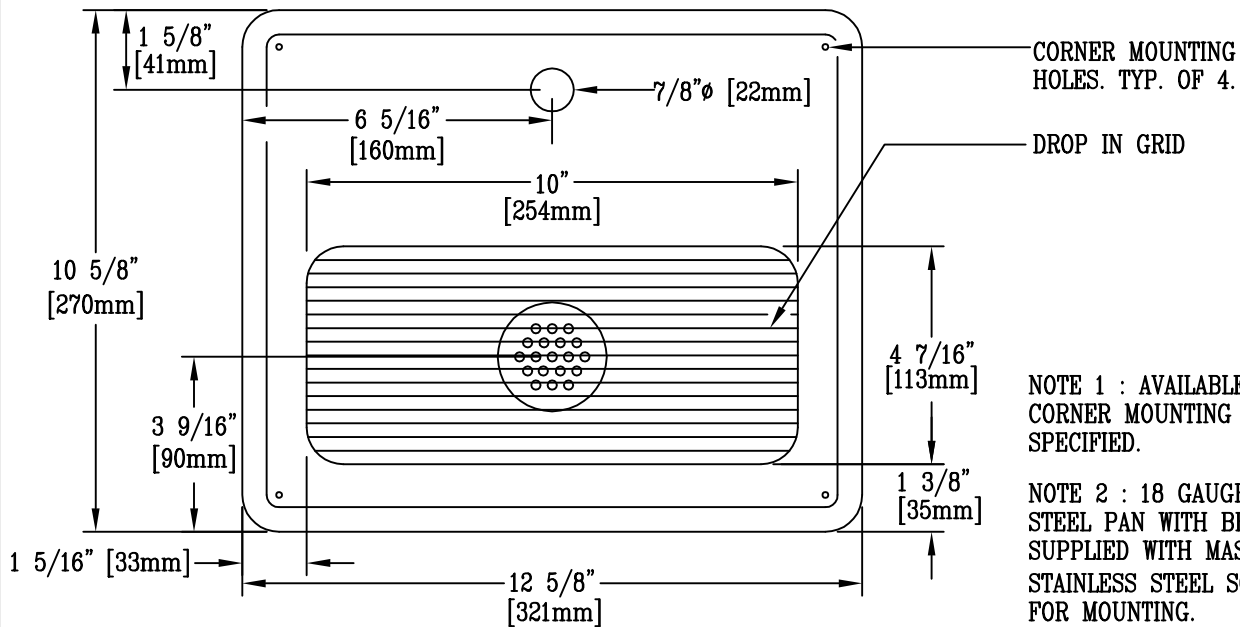
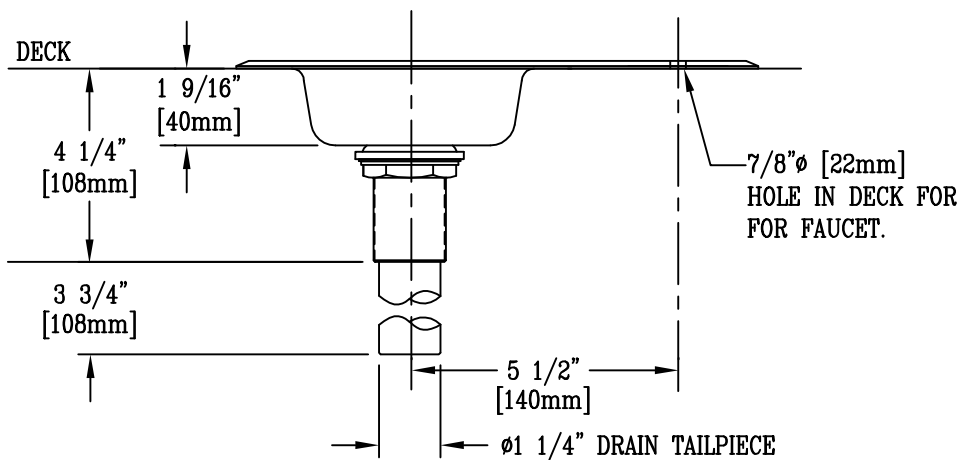
B-1231

Item No.:

Job Name:

Architect/Engineer Approval:

Notes:



NOTE 1 : AVAILABLE LESS (4) CORNER MOUNTING HOLES IF SPECIFIED.

NOTE 2 : 18 GAUGE STAINLESS STEEL PAN WITH BEADED EDGE. SUPPLIED WITH MASTIC & STAINLESS STEEL SCREWS FOR MOUNTING.

Product Description:

18 GAUGE DIE-STAMPED STAINLESS STEEL DRIP PAN WITH DROP-IN GRID AND 1 1/4" DIAMETER DRAIN

Drawn:

WJS

Checked

ARD

Scale:

3" = 1'

Approved

CA

Date:

12/1/95