



T&S BRASS AND BRONZE WORKS, INC.

2 SADDLEBACK COVE / P.O. BOX 1088 / TRAVELERS REST, SC 29690

PHONE 800-476-4103

FAX 864- 834-3518



REG. #A2601  
ISO #9002

Model No.

B-0972

Item No.:

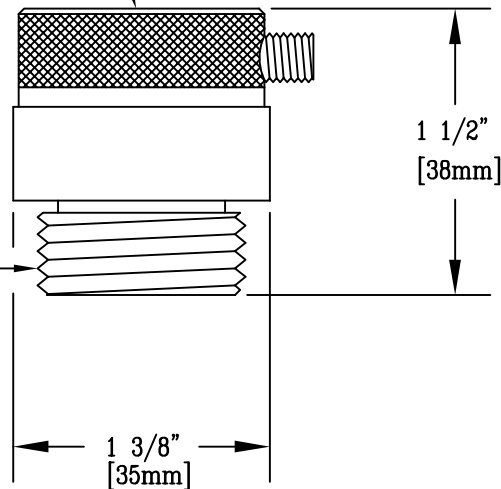
Job Name:

Architect/Engineer Approval:

Notes:

3/4" GARDEN HOSE  
FEMALE INLET

3/4" GARDEN HOSE  
MALE OUTLET



Product Description:

ATMOSPHERIC VACUUM BREAKER  
WITH 3/4" GARDEN HOSE FEMALE INLET,  
AND MALE OUTLET

Drawn:

WJS

Checked

SCM

Scale:

1' = 1'

Approved

CA

Date:

8/11/95