



T&S BRASS AND BRONZE WORKS, INC.  
 2 SADDLEBACK COVE / P.O. BOX 1088 / TRAVELERS REST, SC 29690  
 PHONE 800-476-4103 FAX 864- 834-3518

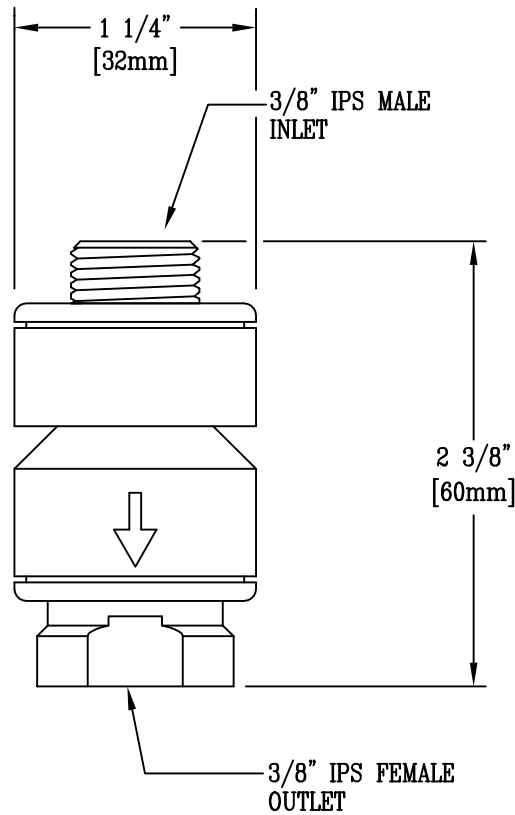


Model No.  
 B-0970  
 Item No.:

Job Name:

Architect/Engineer Approval:

Notes:



Product Description:  
 ATMOSPHERIC VACUUM BREAKER WITH  
 3/8" NPT MALE INLET & FEMALE OUTLET,  
 NOT FOR CONTINUOUS PRESSURE APPLICATIONS

Drawn:  
 WJS  
 Approved  
 CA

Checked  
 SCM

Scale:  
 1' = 1'  
 Date:  
 8/11/95