



T&S BRASS AND BRONZE WORKS, INC.
 2 SADDLEBACK COVE / P.O. BOX 1088 / TRAVELERS REST, SC 29690
 PHONE 800-476-4103 FAX 864- 834-3518

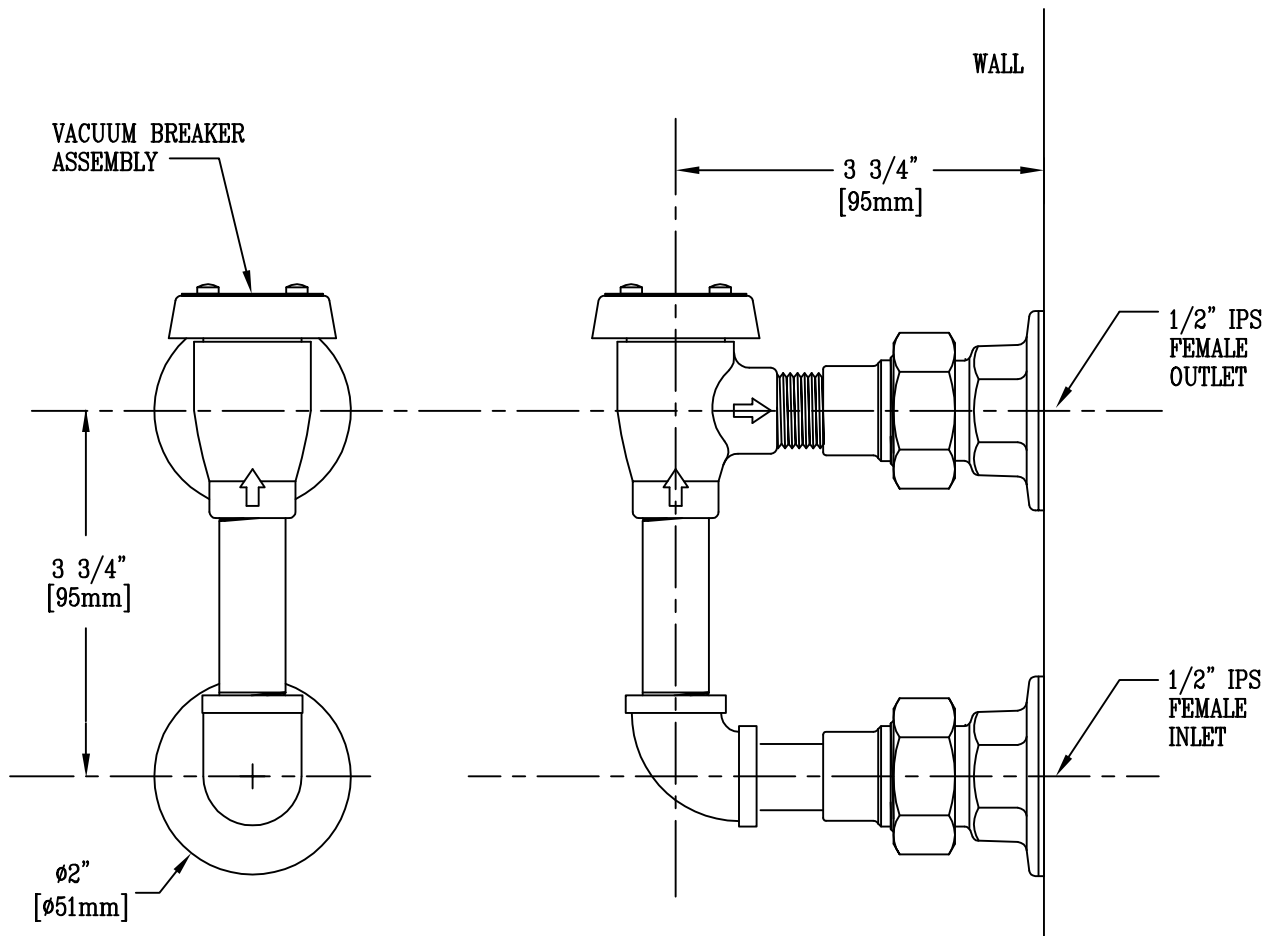


Model No.
 B-0929-A
 Item No.:

Job Name:

Architect/Engineer Approval:

Notes:



Product Description:
 ATMOSPHERIC VACUUM BREAKER ASSEMBLY
 WITH 1/2" IPS FEMALE INLET & OUTLET,
 AND POLISHED CHROME PLATED FINISH

Drawn:
 WJS
 Approved
 CA

Checked
 JKD

Scale:
 6" = 1'
 Date:
 8/24/95