



T&S BRASS AND BRONZE WORKS, INC.
 2 SADDLEBACK COVE / P.O. BOX 1088 / TRAVELERS REST, SC 29690
 PHONE 800-476-4103 - FAX 864- 834-3518

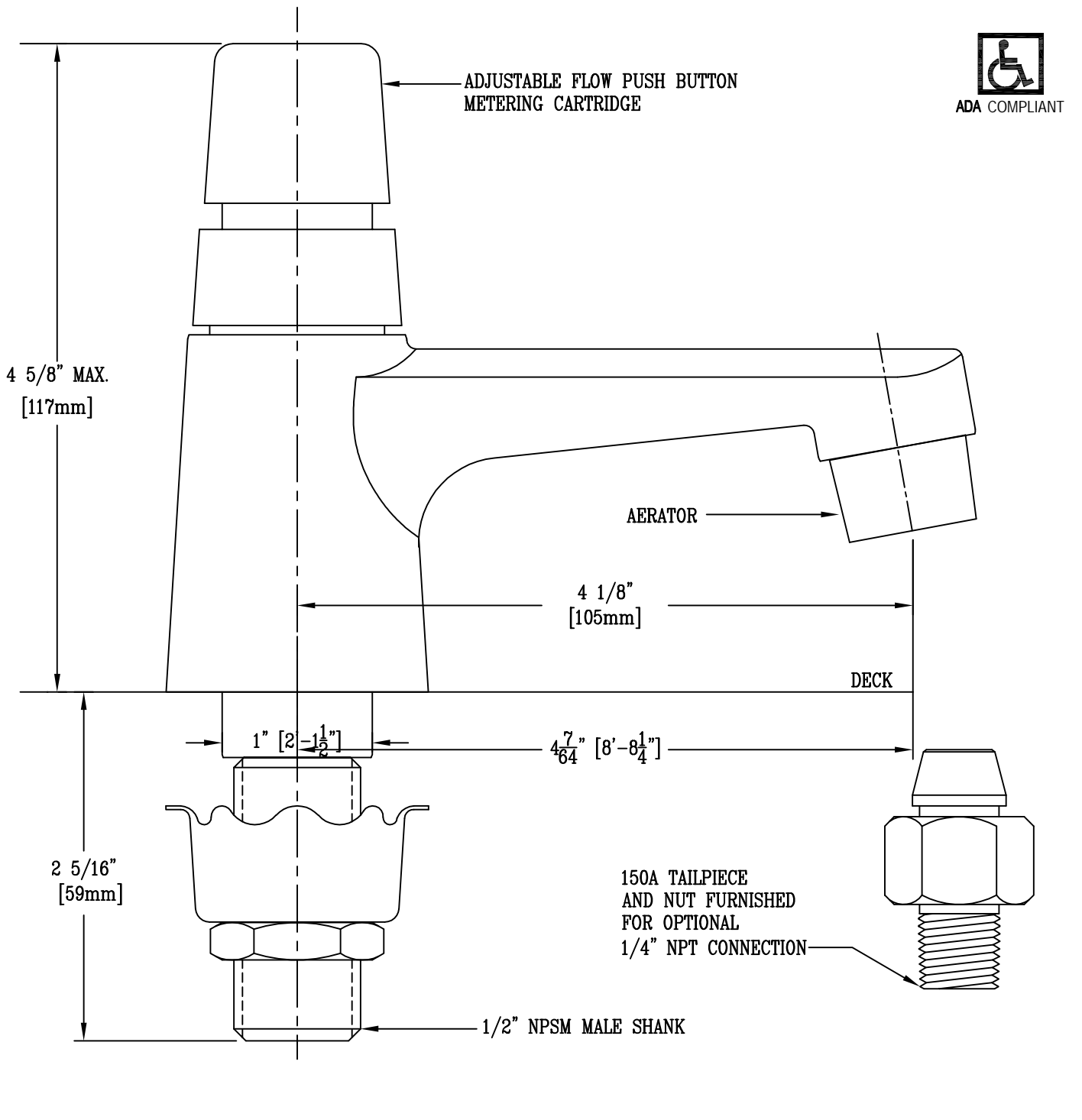


Model No.
 B-0712
 RELIABILITY
 BUILT IN

Job Name:

Architect/Engineer Approval:

Notes:



Product Description:
 SINGLE SUPPLY BASIN FCT. w/ 1/2" NPSM MALE SHANK AND PUSH BUTTON METERING CARTRIDGE

Drawn:
 PRJ
 Approved
 MVW

Checked
 WJS

Scale:
 1 : 1
 Date:
 5-23-02