



**T&S BRASS AND BRONZE WORKS, INC.**  
 2 SADDLEBACK COVE / P.O. BOX 1088 / TRAVELERS REST, SC 29690  
 PHONE 800-476-4103 - FAX 864- 834-3518

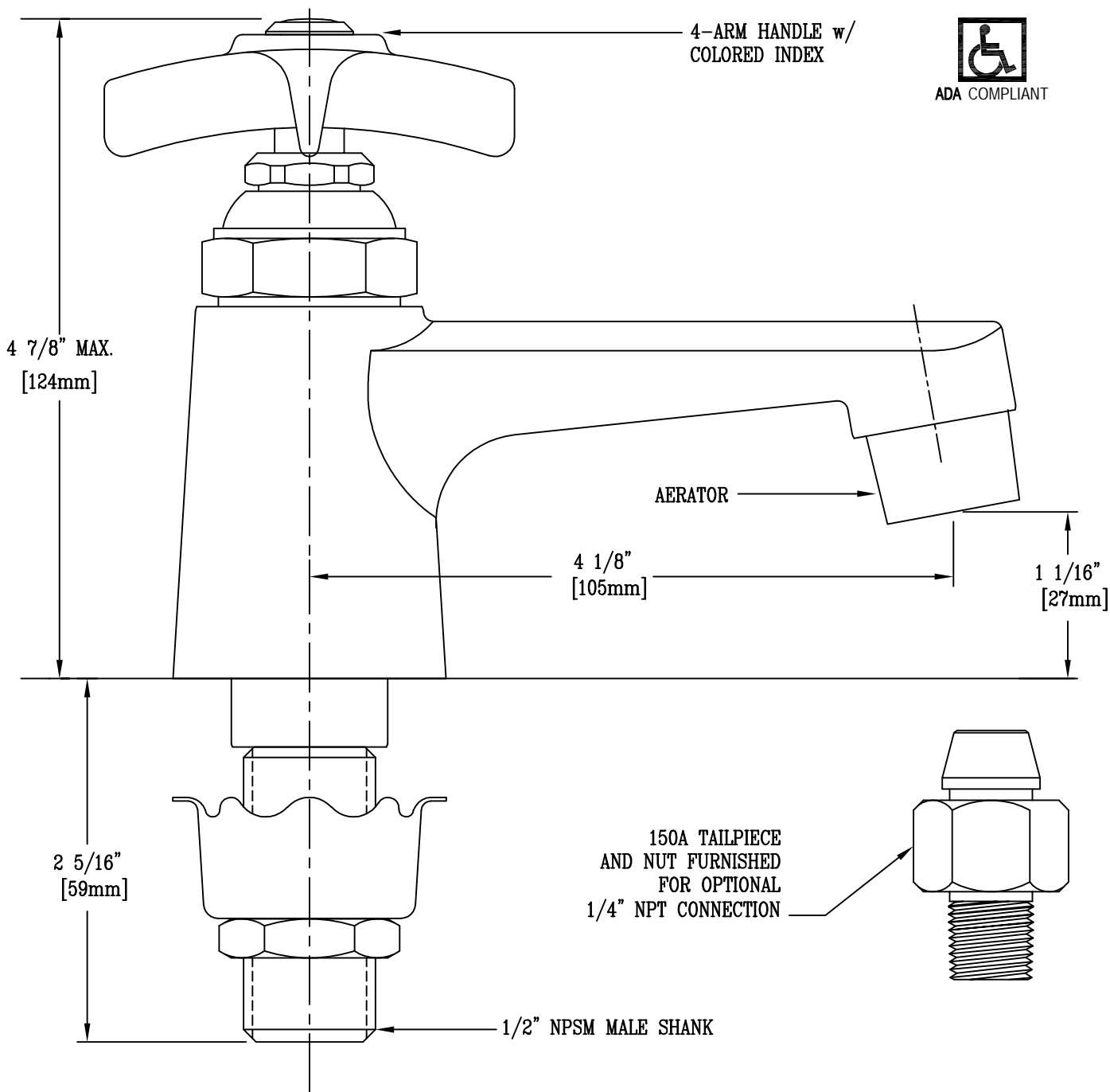


Model No.  
**B-0710**  
**RELIABILITY  
 BUILT IN**

Job Name:

Architect/Engineer Approval:

Notes:



Product Description:  
  
 SINGLE TEMPERATURE BASIN FAUCET WITH  
 1/2" NPSM MALE SHANK, & AERATOR OUTLET

Drawn:  
PRJ  
Approved  
MVW

Checked  
WJS

Scale:  
1 : 1  
Date:  
05/23/02