



T&S BRASS AND BRONZE WORKS, INC.
 2 SADDLEBACK COVE / P.O. BOX 1088 / TRAVELERS REST, SC 29690
 PHONE 800-476-4103 FAX 864- 834-3518



Model No.

B-0708

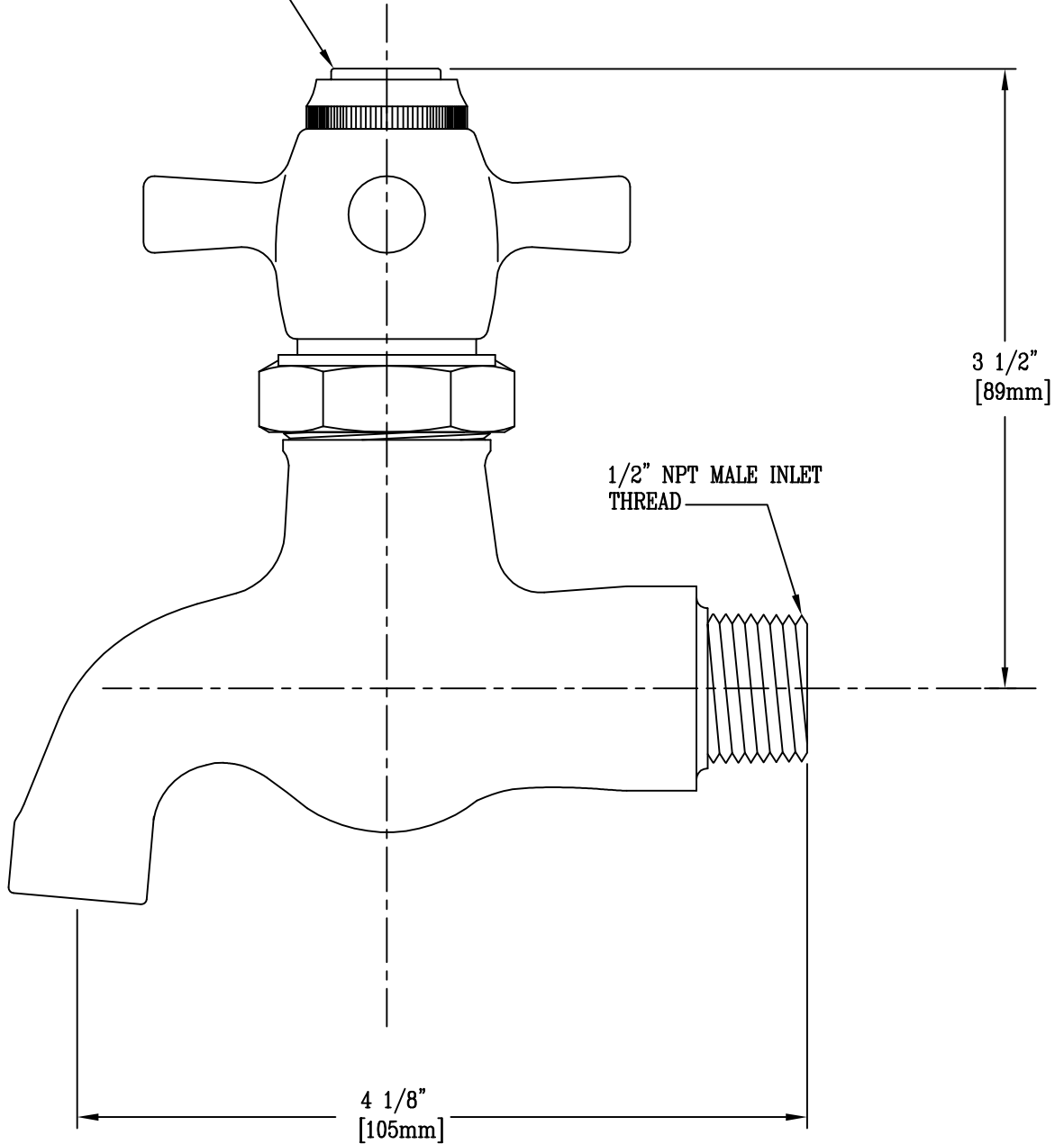
Item No.:

Job Name:

Architect/Engineer Approval:

Notes:

FAST SELF-CLOSING
 HANDLE ASM NORMALLY
 FURNISHED w/ BLUE "CW"
 INDEX



Product Description:

HOSE BIBB w/ 1/2" NPT MALE INLET THREAD
 PLAIN OUTLET, & SELF CLOSING 4-ARM HANDLE

Drawn:

WJS

Approved

Checked

Scale:

1 : 1

Date: