



T&S BRASS AND BRONZE WORKS, INC.
 2 SADDLEBACK COVE / P.O. BOX 1088 / TRAVELERS REST, SC 29690
 PHONE 800-476-4103 FAX 864- 834-3518



Model No.

B-0703

Item No.:

Job Name:

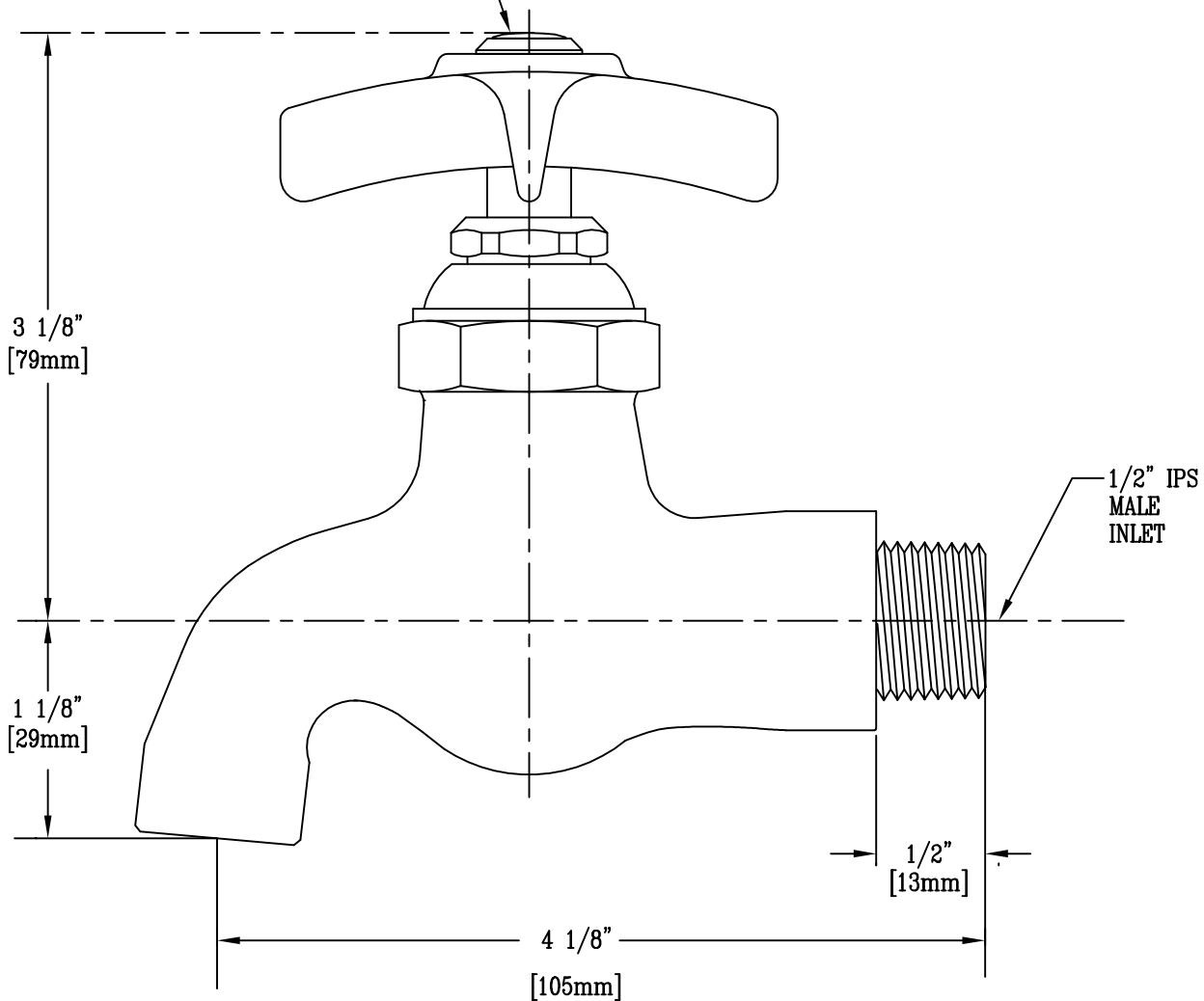
Architect/Engineer Approval:

Notes:



ADA COMPLIANT

COLOR CODED SNAP-IN INDEX ("CW").



Product Description:

SINGLE SINK FAUCET WITH 1/2" IPS MALE INLET, & FOUR ARM HANDLE

Drawn:

WJS

Checked

ARY

Scale:

1' = 1'

Approved

CA

Date:

8/8/95