



T&S BRASS AND BRONZE WORKS, INC.  
 2 SADDLEBACK COVE / P.O. BOX 1088 / TRAVELERS REST, SC 29690  
 PHONE 800-476-4103 FAX 864- 834-3518

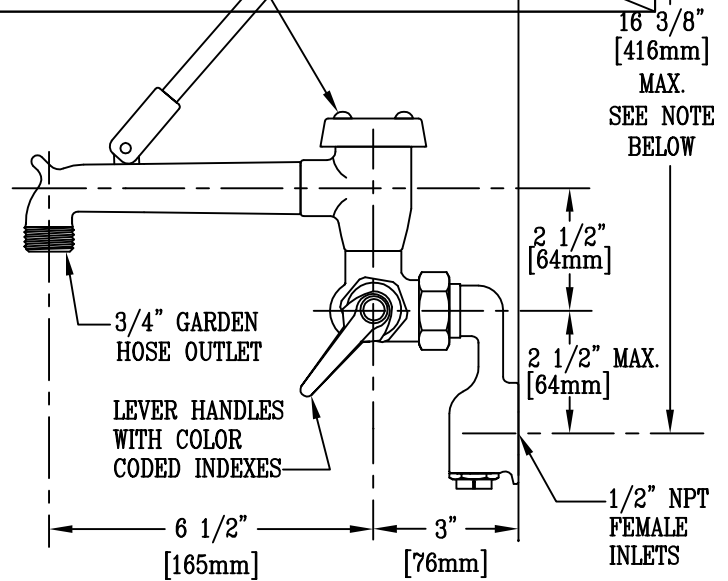
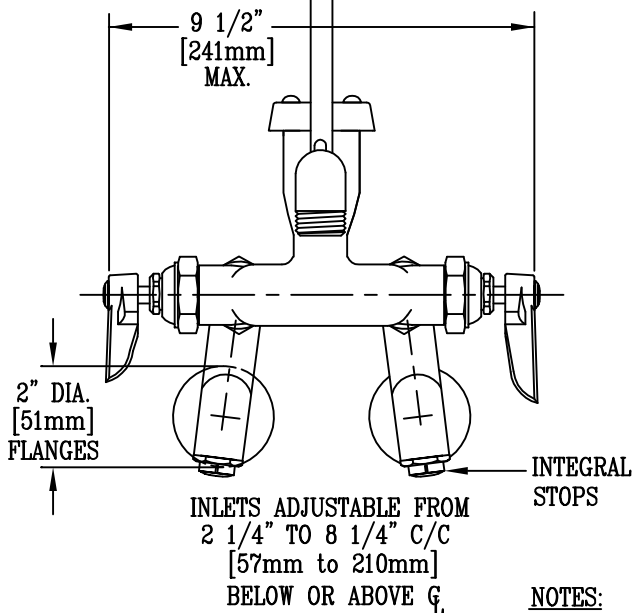
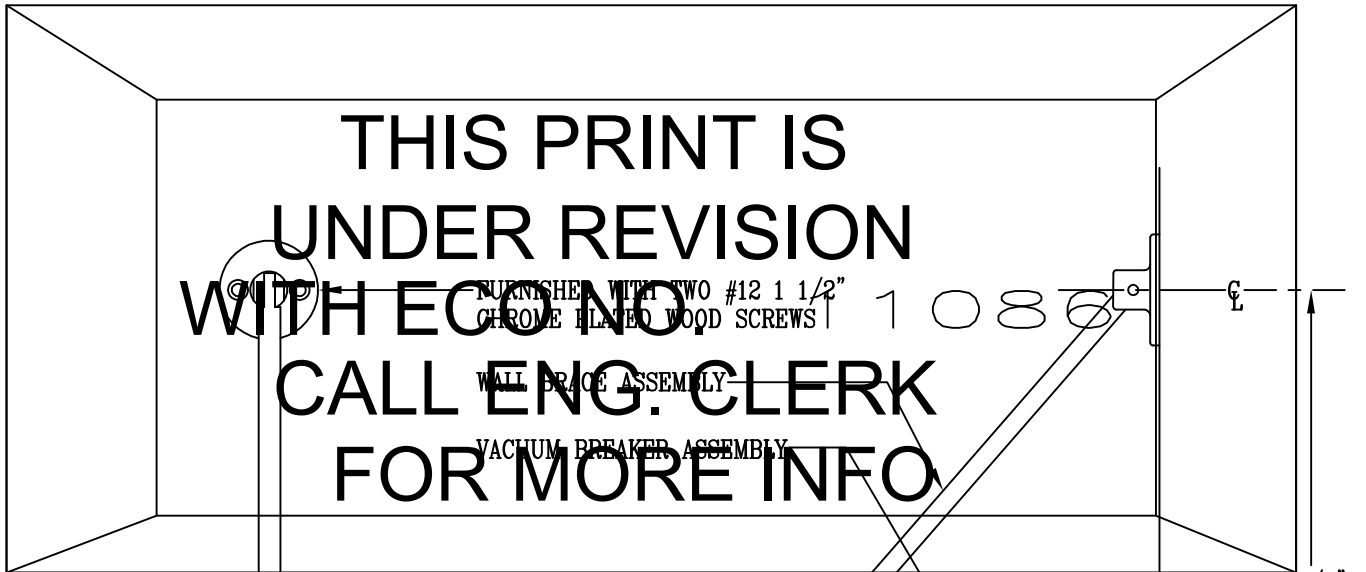


Model No.  
 B-0667-POL  
 Item No.:

Job Name:

Architect/Engineer Approval:

Notes:



**NOTES:**

- 16 3/8" MAX. DIMENSION IS BASED ON INLET CENTERS SET AT 3 1/2" [89mm] C/C. INCREASING INLET C/C DIMENSION WILL DECREASE 16 3/8" DIMENSION TO C OF WALL BRACE MOUNTING PLATE.
- NSF STANDARD 61, SECTION 9 CERTIFIED.

Product Description:  
 SERVICE SINK FAUCET WITH POLISHED CHROME FINISH, INTEGRAL STOPS, VACUUM BREAKER, WALL BRACE, ADJUSTABLE INLETS, & 3/4" GARDEN HOSE OUTLET

Drawn: WJS	Checked MW	Scale: 3" = 1'
Approved CA	Date: 11/22/95	