



T&S BRASS AND BRONZE WORKS, INC.

2 SADDLEBACK COVE / P.O. BOX 1088 / TRAVELERS REST, SC 29690

PHONE 800-476-4103

FAX 864- 834-3518



REG. #A2601
ISO #9002

Model No.

B-0660-POL

Item No.:

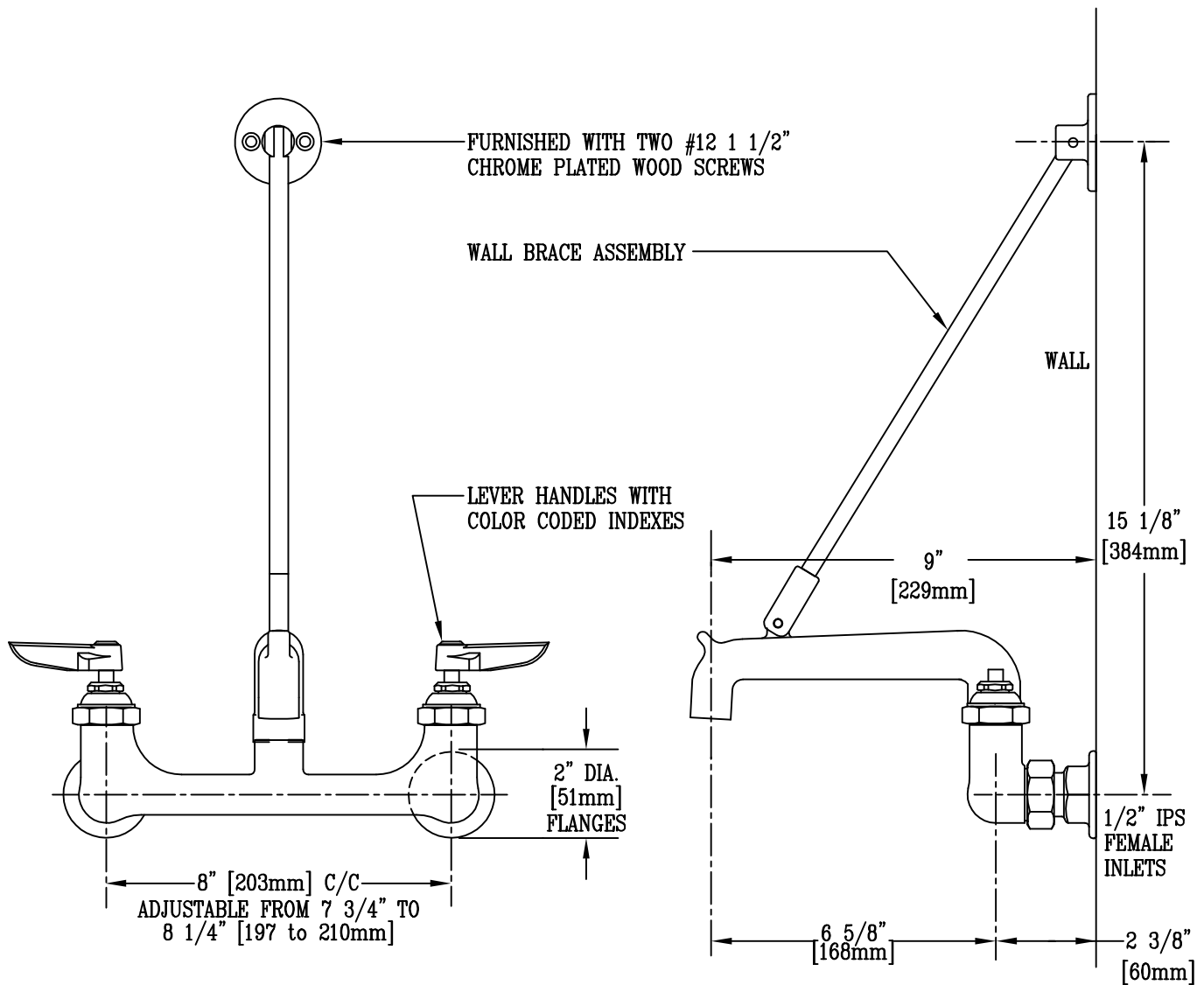
Job Name:

Architect/Engineer Approval:

Notes:



ADA COMPLIANT



NSF STANDARD 61, SECTION 9 CERTIFIED.

Product Description:

SERVICE SINK FAUCET WITH POLISHED CHROME FINISH, WALL BRACE, LEVER HANDLES, 1/2" IPS INLETS, & PLAIN OUTLET

Drawn:

WJS

Checked

MW

Scale:

3" = 1'

Approved

CA

Date:

11/22/95