



T&S BRASS AND BRONZE WORKS, INC.  
 2 SADDLEBACK COVE / P.O. BOX 1088 / TRAVELERS REST, SC 29690  
 PHONE 800-476-4103 FAX 864- 834-3518



Model No.

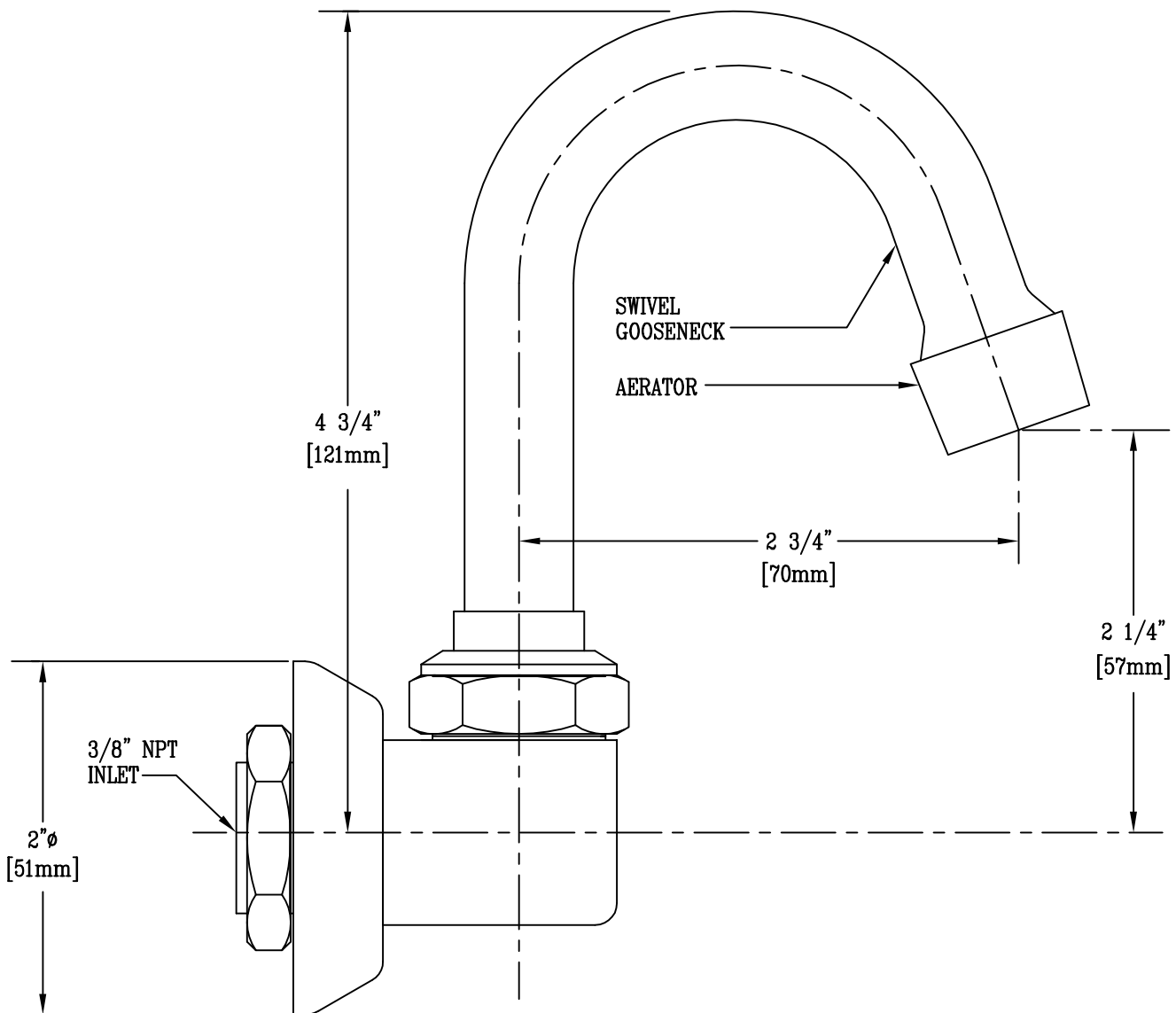
B-0529

Item No.:

Job Name:

Architect/Engineer Approval:

Notes:



Product Description:

WALL MOUNTED SWIVEL GOOSENECK  
 WITH AERATOR

Drawn:

WJS

Checked

ARD

Scale:

6" = 1'

Approved

CA

Date:

6/26/95