



T&S BRASS AND BRONZE WORKS, INC.

2 SADDLEBACK COVE / P.O. BOX 1088 / TRAVELERS REST, SC 29690

PHONE 800-476-4103

FAX 864-834-3518



REG. #A2601
ISO #9002

Model No.

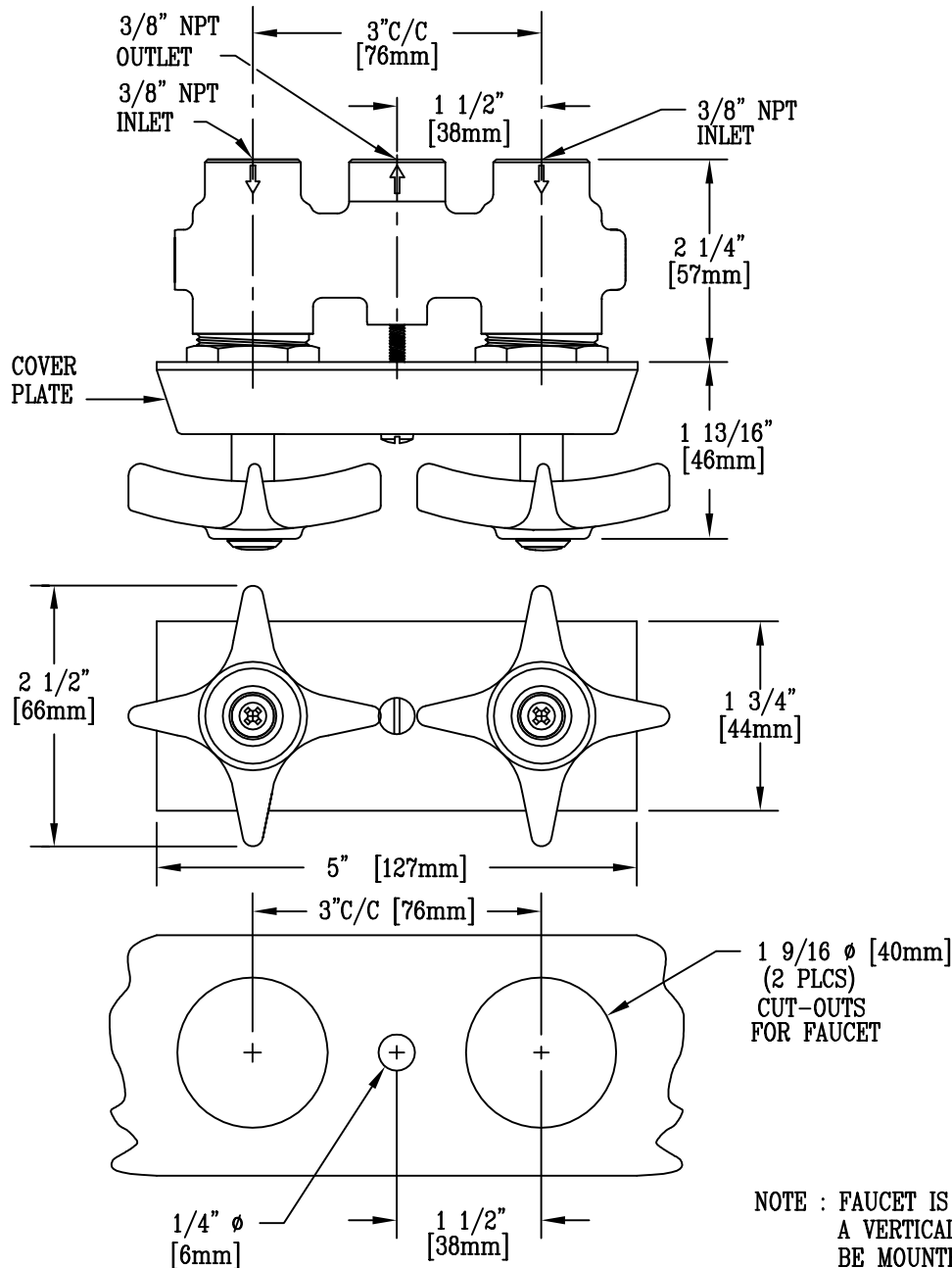
B-0512

Item No.:

Job Name:

Architect/Engineer Approval:

Notes:



Product Description:

CONCEALED MIXING FAUCET WITH 4-ARM HANDLES

Drawn:

LEL

Checked

JKD

Scale:

1 : 2

Approved

MVW

Date:

9/16/02