



T&S BRASS AND BRONZE WORKS, INC.
 2 SADDLEBACK COVE / P.O. BOX 1088 / TRAVELERS REST, SC 29690
 PHONE 800-476-4103 - FAX 864- 834-3518



Model No.
 B-0305-LN
**RELIABILITY
 BUILT IN**

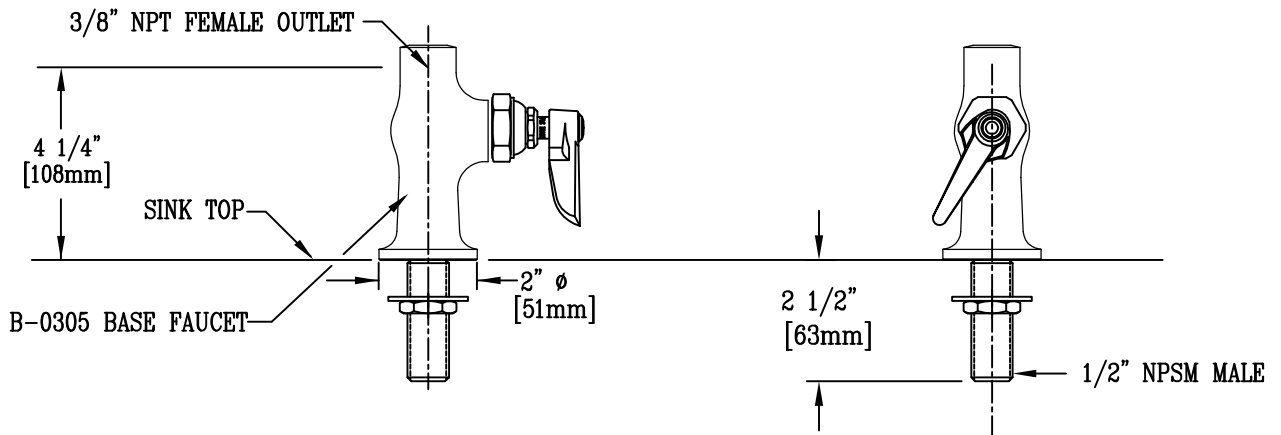
Job Name:

Architect/Engineer Approval:

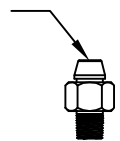
Notes:



ADA COMPLIANT



150A TAILPIECE
 AND NUT FURNISHED
 FOR OPTIONAL
 1/4" NPT CONNECTION



NSF STANDARD 61, SECTION 9 CERTIFIED

Product Description:

 SINGLE PANTRY FCT. LESS NOZZLE

Drawn:
LEL

Approved
MW

Checked
JKD

Scale:
1 : 4

Date:
9/11/02