



**T&S BRASS AND BRONZE WORKS, INC.**  
 2 SADDLEBACK COVE / P.O. BOX 1088 / TRAVELERS REST, SC 29690  
 PHONE 800-476-4103 - FAX 864- 834-3518

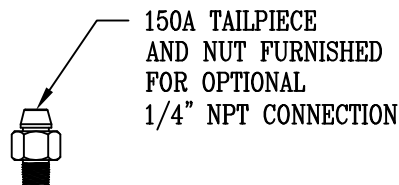
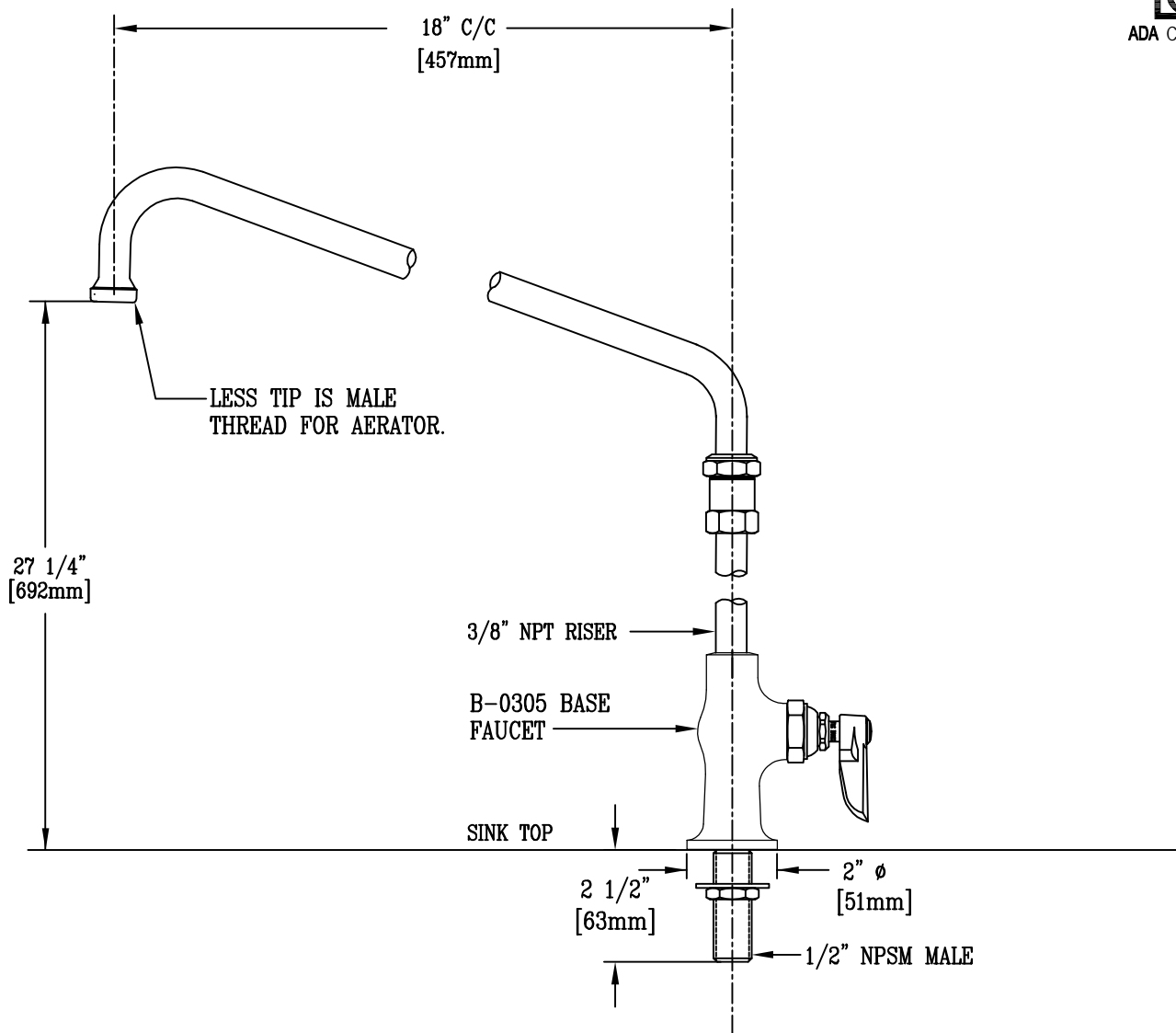


Model No.  
**B-0275**  
**RELIABILITY BUILT IN**

Job Name:

Architect/Engineer Approval:

Notes:



**NSF STANDARD 61, SECTION 9 CERTIFIED**

Product Description:  
 SINGLE PANTRY FCT. WITH ELEVATED  
 18" SWING NOZZLE, LEVER HANDLES,  
 AND 1/2" NPSM MALE SHANK INLET

Drawn: LEL	Checked JKD	Scale: 1:4
Approved MVW		Date: 9/11/02