



T&S BRASS AND BRONZE WORKS, INC.
 2 SADDLEBACK COVE / P.O. BOX 1088 / TRAVELERS REST, SC 29690
 PHONE 800-476-4103 - FAX 864- 834-3518



Model No.
 B-0200-LN
 RELIABILITY
 BUILT IN

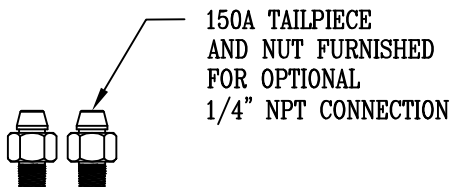
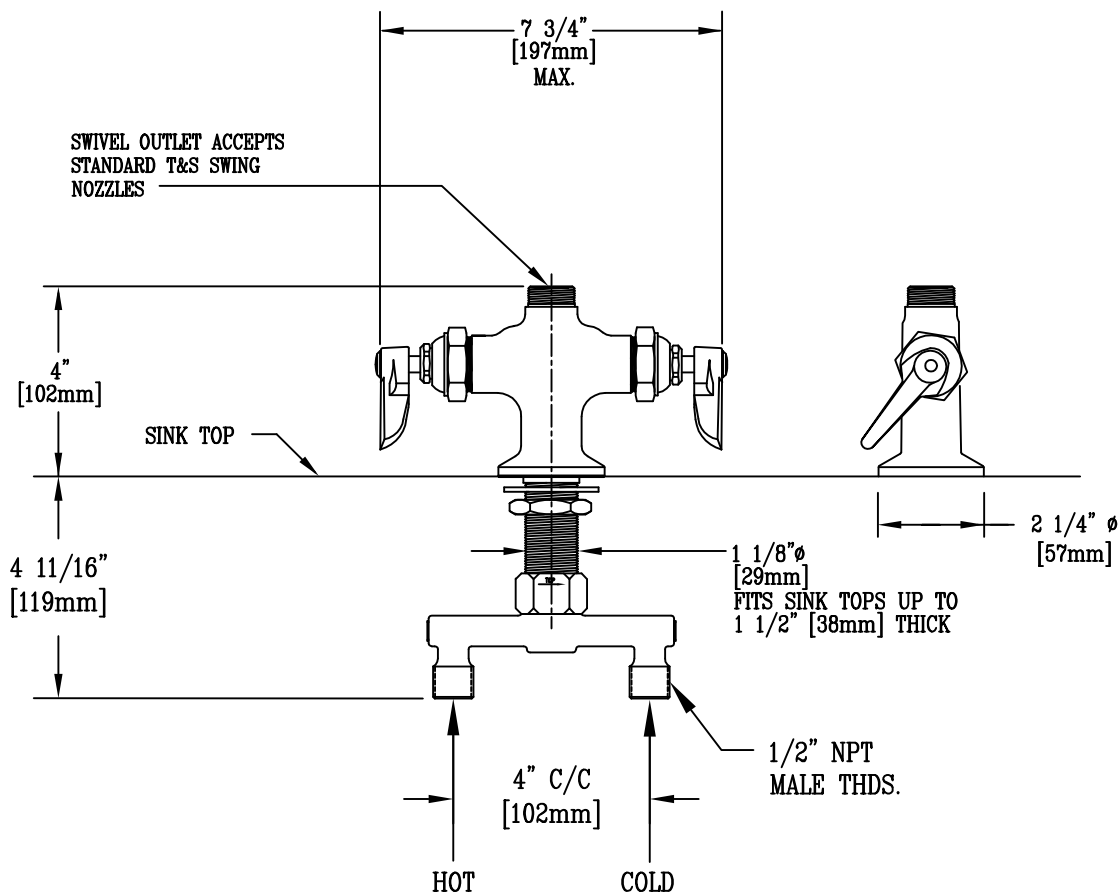
Job Name:

Architect/Engineer Approval:

Notes:



ADA COMPLIANT



Product Description:
 DOUBLE PANTRY FCT. LESS NOZZLE

Drawn:
 PRJ
 Approved
 MVW

Checked
 WJS

Scale:
 1 : 4
 Date:
 05/23/02