



T&S BRASS AND BRONZE WORKS, INC.

2 SADDLEBACK COVE / P.O. BOX 1088 / TRAVELERS REST, SC 29690

PHONE 800-476-4103

FAX 864- 834-3518



REG. #A2601  
ISO #9002

Model No.

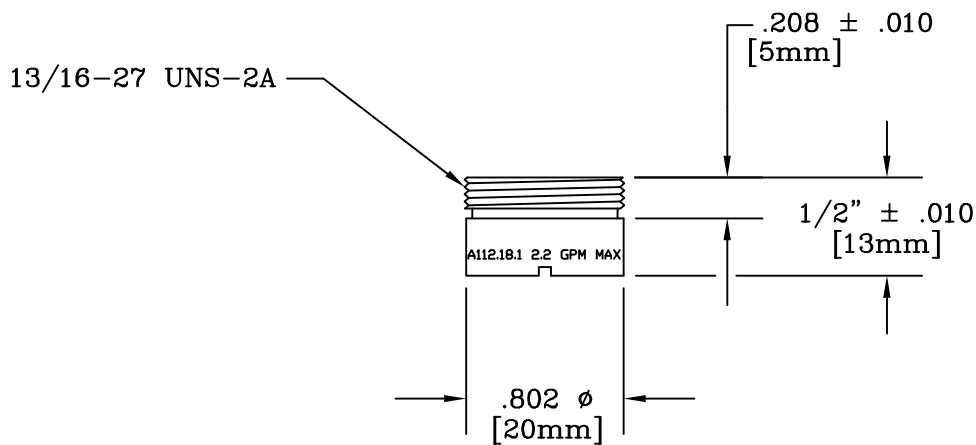
B-0199-03

Item No.:

Job Name:

Architect/Engineer Approval:

Notes:



Product Description:

AERATOR 13/16-27 MALE THREAD

Drawn:

MCW

Checked

SCM

Scale:

1' = 1'

Approved

CA

Date:

6/30/95