



**T&S BRASS AND BRONZE WORKS, INC.**  
 2 SADDLEBACK COVE / P.O. BOX 1088 / TRAVELERS REST, SC 29690  
 PHONE 800-476-4103 FAX 864- 834-3518



Model No.

B-0167

Item No.:

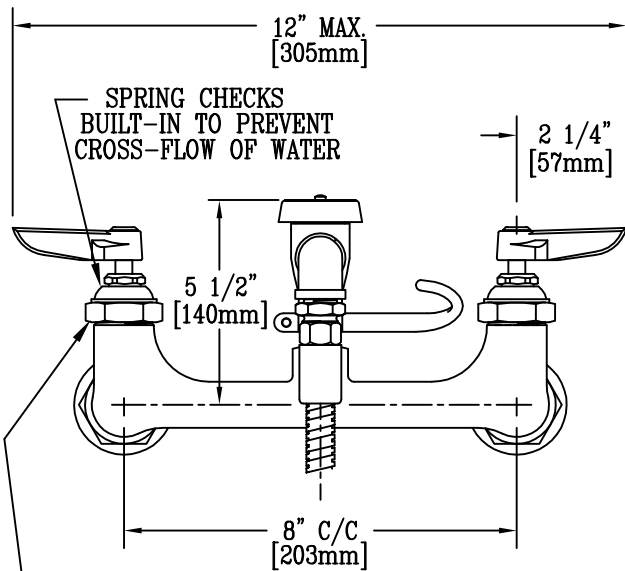
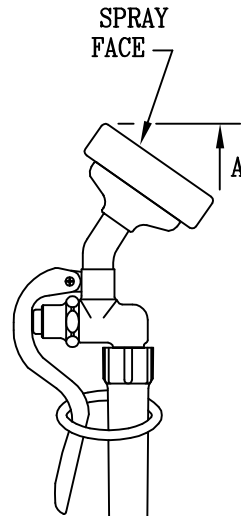
Job Name:

Architect/Engineer Approval:

Notes:

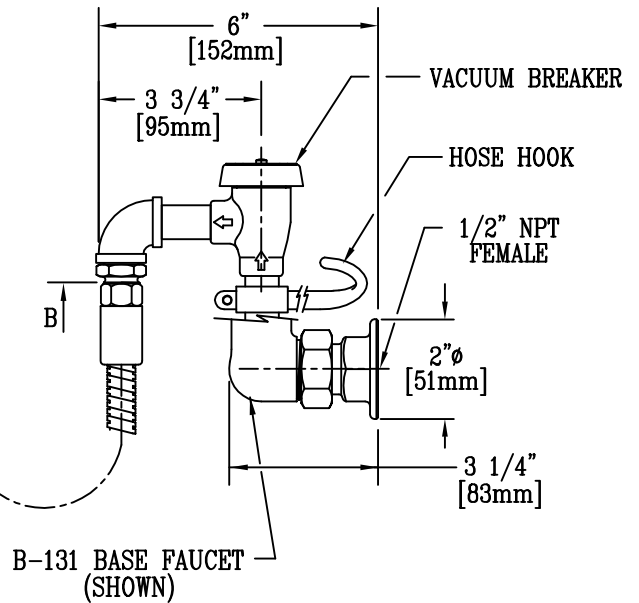


ADA COMPLIANT



ADJUST. FROM 7 3/4" TO 8 1/4" C/C [197mm to 210mm]

FAUCET IS FULLY OPEN IN LESS THAN 1/4 TURN OF HANDLE



**NOTES:**

- STANDARD HOSE LENGTH FROM A TO B IS 68", BUT CAN ANY LENGTH.

Product Description:  
 SPRAY UNIT ASSEMBLY

Drawn: MCW	Checked ARD	Scale: 3" = 1'
Approved CA		Date: 2/12/96