



T&S BRASS AND BRONZE WORKS, INC.
 2 SADDLEBACK COVE / P.O. BOX 1088 / TRAVELERS REST, SC 29690
 PHONE 800-476-4103 FAX 864- 834-3518

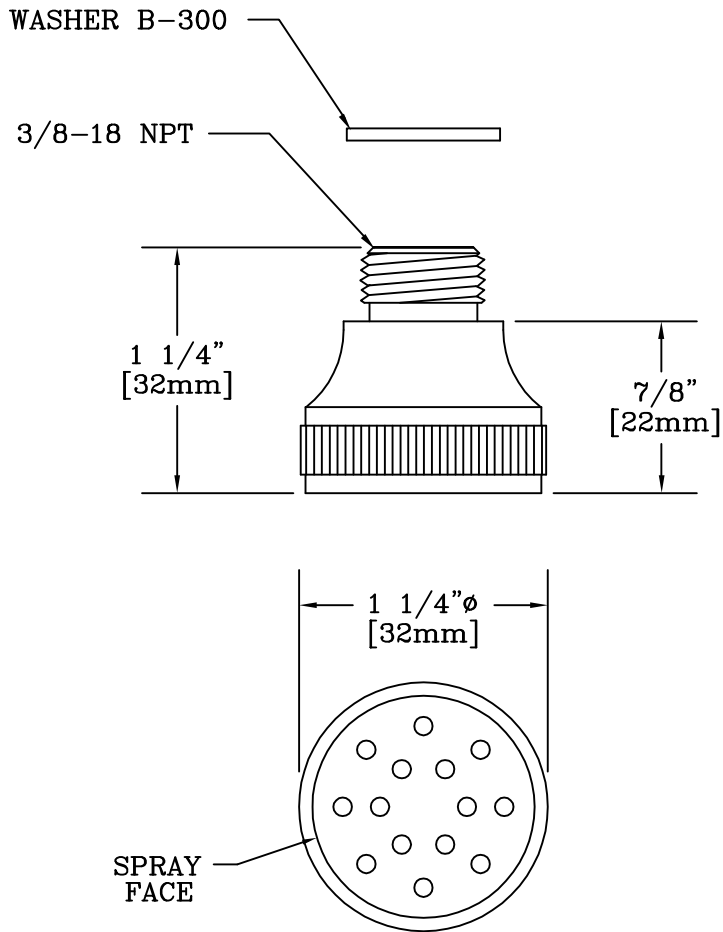


Model No.
B-0103
 Item No.:

Job Name:

Architect/Engineer Approval:

Notes:



Product Description:
 ROSESPRAY

Drawn:
 MCW
 Approved
 CA

Checked
 ARY

Scale:
 1' = 1'
 Date:
 4-10-95