



T&S BRASS AND BRONZE WORKS, INC.

2 SADDLEBACK COVE / P.O. BOX 1088 / TRAVELERS REST, SC 29690

PHONE 800-476-4103

FAX 864- 834-3518



Model No.

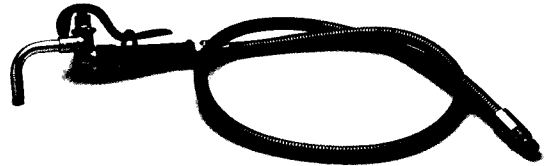
B-0102

Item No.:

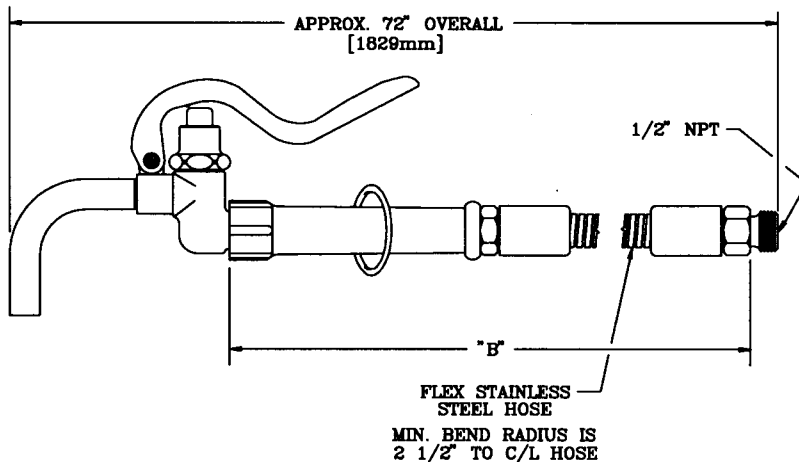
Job Name:

Architect/Engineer Approval:

Notes:



SEE SPEC. DWG. NO. B-0104
FOR MOUNTING ACCESSORIES



NOTE: "B" STANDARD HOSE UNIT IS 68" [1727mm]
ANY LENGTH IS AVAILABLE

FURNISHED W/ 1/2" MALE INLET NPT ADAPTER.
ALSO AVAILABLE W/ 3/8", 1/2" OR 3/4" NPT MALE
OR FEMALE, AND GARDEN HOSE FEMALE ADAPTER.

Product Description:

GLASS FILLER SPRAY ASSEMBLY

Drawn:

MCW

Checked

ARY

Scale:

4.5" = 1'

Approved

CA

Date:

4-10-95