



T&S BRASS AND BRONZE WORKS, INC.

2 SADDLEBACK COVE / P.O. BOX 1088 / TRAVELERS REST, SC 29690

PHONE 800-476-4103

FAX 864- 834-3518



REG.#A2601
ISO #9002

Model No.

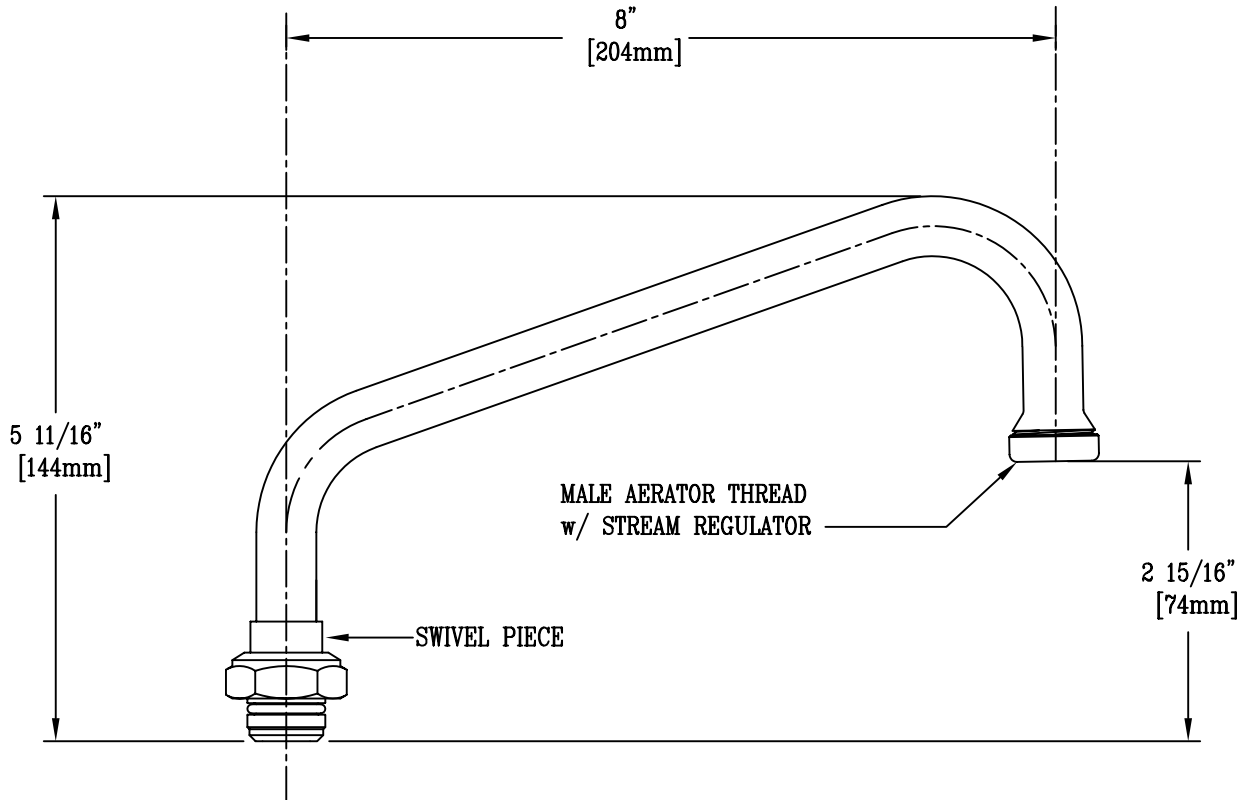
060X

Item No.:

Job Name:

Architect/Engineer Approval:

Notes:



Product Description:

8" SWING NOZZLE ASM w/ STREAM REGULATOR

Drawn:

WJS

Approved

Checked

Scale:

1 : 2

Date: