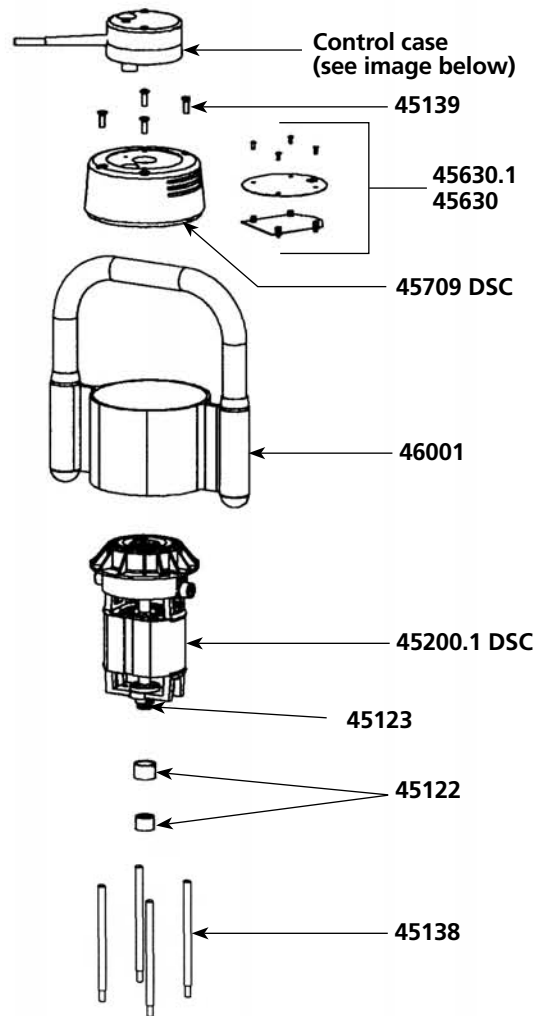


SMX 600 DSC - 115 V

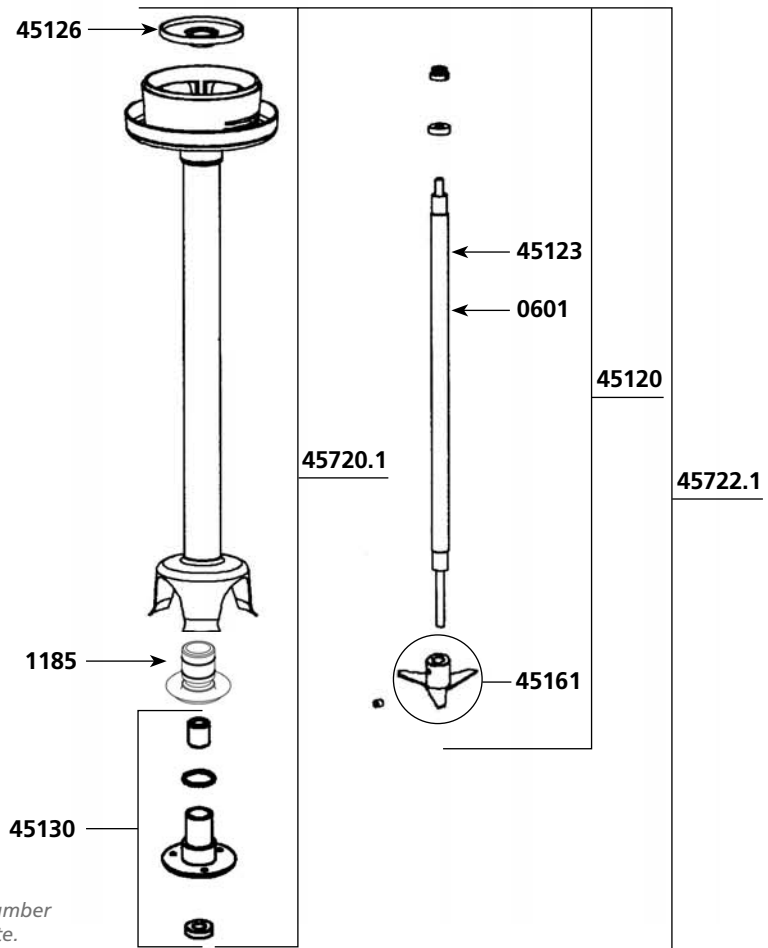
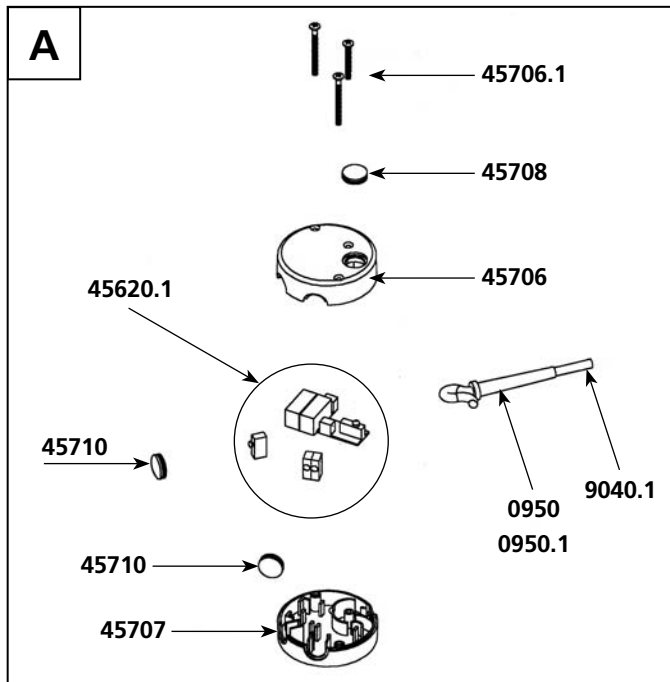
Parts list

Code List \$ Price

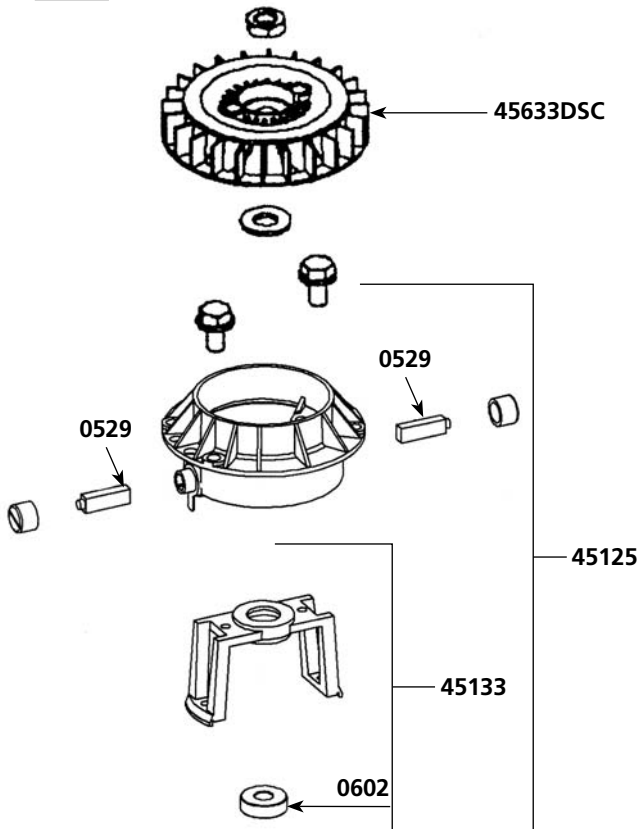
Motor brushes (pair)	0529	15,81
Ball bearing	0601	14,08
Motor ball bearing	0602	16,34
Rubber washer	0760	3,14
Clips	0776	1,20
Washer & bolt for fan	0777	1,20
Wall bracket	0862	20,61
Strain relief 230 V	0950	2,46
Strain relief 115 V	0950.1	2,46
ID label 115 V	1009	13,85
Bearing holder + seal	1185	22,67
Shaft, ball bearing + sprocket	45120	149,97
Coupling sleeves	45122	23,93
Coupler motor + drive sprocket	45123	22,25
Fan housing	45125	138,07
Double isolation plate	45126	15,91
Lower bearing assembly	45130	35,70
Lower motor casing	45132	72,56
Upper motor casing	45133	72,56
Stator 115 V	45135.1	379,39
Rotor 115 V	45136.1	379,39
Motor field screws (4)	45137	2,74



A



B

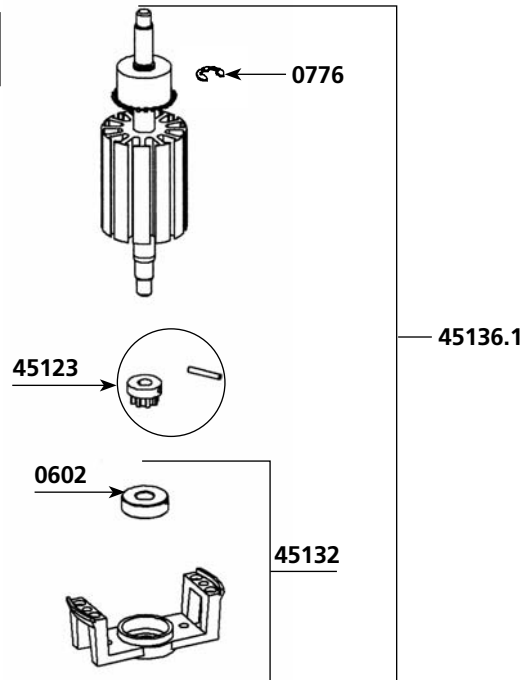


Parts list

Code List \$ Price

Spacer rods (4)	45138	16,46
Spacer screws (4)	45139	2,86
Cutter blade w/screw	45161	41,09
Motor 115 V (complete)	45200.1DSC	589,61
Squeezing washer (4)	45230	6,08
Sleeve & complete handle & label & cap	45709DSC	219,84
Kit w/ shaft, lower bearing, coppler, cutter	45533	226,76
Handle cap (2)	45610	5,98
Circuit board	45620.1	129,65
Regulation circuit board	45630.1	134,18
Plastic Fan	45633DSC	16,98
Top housing (orange plastic piece)	45706	19,69
Screws control case set	45706.1	2,07
Lower housing (orange plastic piece)	45707	18,09
Lock button rubber cap (unit)	45708	3,22
Sleeve + handle + label + stopper	46001	125,99
Rubber button cap	45710	3,05
Lower housing w/ screws	45711	34,94
Foot assembly	45720.1	384,07
Complete foot assembly	45722.1	576,40
Power cord 115 V	9040.1	35,41
Lower bearing screws (3)	9902	1,24

C



D

