



ULTRA-GLO™ PORTABLE FOODWARMERS

Models UGFF, UGFFL, UGFFB, UGFFBL

Hatco Ultra-Glo Portable Foodwarmers keep food hot at kitchen work areas, waitress pickup stations or customer serving points. Available in models and sizes to meet every food warming need.

FLEXIBILITY

Perfect for fry stations, Ultra-Glo is designed with a greater distance between the heating element and the holding pan than the standard foodwarmer. The distance, combined with the compact element housing, makes it easier to access the product while maintaining proper food temperatures. The special ceramic element emits radiant heat that blankets the target surface and food product. These models come with a 6' (1829 mm) cord and plug attached.

Hatco can custom design portable foodwarmers to meet customer specifications or to fit an unusual situation. A wide selection of accessories including food pans, trivets, and fry ribbons make Ultra-Glo foodwarmers ideal for any location.

QUALITY

The following features assure the finest performance for years to come:

- Models include heat above the food, with optional base heat.
- All models are factory pre-wired with a 6' (1829 mm) cord and plug.
- Optional incandescent lights available to enhance food appeal.



Model UGFFL
in optional translucent
gloss finish with
accessory fry ribbon
and food pan



Model UGFFBL
with base heat in
optional translucent
gloss finish and
accessory food pans



CERAMIC HEATING ELEMENTS GUARANTEED AGAINST BURNOUT FOR ONE YEAR.



HATCO CORPORATION P.O. Box 340500 Milwaukee, WI 53234-0500 U.S.A.
(800) 558-0607 • (414) 671-6350 • Fax (800) 543-7521 • Int'l. Fax (414) 671-3976
www.hatcocorp.com • E-mail: equipsales@hatcocorp.com

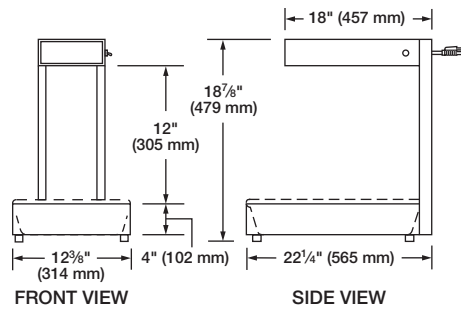
Form No. UGFF-1006(S)

Printed in U.S.A.



ULTRA-GLO™ PORTABLE FOODWARMERS

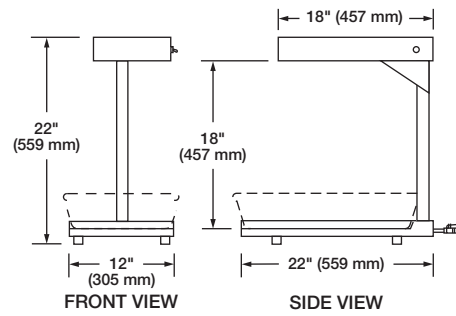
Models UGFF, UGFFL, UGFFB, UGFFBL



FRONT VIEW

SIDE VIEW

Model UGFF



FRONT VIEW

SIDE VIEW

Model UGFFBL

SPECIFICATIONS

Model	Watts	Amps	Shipping Weight
UGFF	750	6.3	15 lbs. (7 kg)
UGFFL*	870	7.3	19 lbs. (9 kg)
UGFFB	1000	8.3	26 lbs. (12 kg)
UGFFBL*	1120	9.3	31 lbs. (14 kg)

* "L" added to model number indicates incandescent light.

DIMENSIONS

UGFF: 12 $\frac{3}{8}$ "W x 22 $\frac{1}{4}$ "D x 18 $\frac{7}{8}$ "H (314 x 565 x 479 mm).
 UGFFB: 12"W x 22"D x 22"H (305 x 559 x 559 mm).

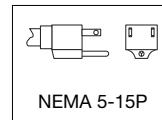
VOLTAGE

120 volts, single phase (uses NEMA 5-15P).

CORD LOCATION

UGFF, UGFFL: Back of unit at top.
 UGFFB, UGFFBL: Bottom back.

PLUG CONFIGURATION



OPTIONS (NOT FOR RETROFIT)

- Translucent Gloss Finishes: Radiant Red, Gleaming Gold, Glossy Gray, Brilliant Blue, Bold Black
- Halogen Bulb in lieu of Standard Display Bulb

ACCESSORIES

- 5 Pleat Hardcoated French Fry Box Ribbon
- 8 Pleat Hardcoated French Fry Bag Ribbon
- Food Holding Pans
- Wire Trivets

PRODUCT SPECS

Portable Foodwarmer

The Portable Foodwarmer shall be an Ultra-Glo™, manufactured by the Hatco Corporation, Milwaukee, WI 53234 U.S.A.

The Foodwarmer shall be an Ultra-Glo Model, rated atwatts,volts, single phase and beinches (millimeters) in overall width.

The Ultra-Glo shall consist of an aluminum housing and include a ceramic heating element.

Accessories shall include food holding pans, trivets, and ribbons.