



GLO-RAY® INFRA-BLACK® OVERHEAD FOODWARMERS

Models GRAIH-18, -24, -30, -36, -42, -48, -54, -60, -66, -72 GRAIHL-18, -24, -30, -36, -42, -48, -54, -60, -66, -72
 GRAIH-18D, -24D, -30D, -36D, -42D, -48D, -54D, -60D, -66D, -72D GRAIHL-18D, -24D, -30D, -36D, -42D, -48D, -54D, -60D, -66D

Hatco Glo-Ray Infra-Black Foodwarmers are designed as an extension to the line of traditional Hatco foodwarmers. The Infra-Black unit employs a flat black panel (emitter) as the heat source. This emitter mounts into the standard 6" (152 mm) deep aluminum housing that is used with other Hatco Glo-Ray foodwarmers.

FLEXIBILITY

The Infra-Black foodwarmer is designed to be used in applications where the vertical distance from the warmer to the food sitting on a *metallic* surface is between 4" and 14" (102-356 mm). The emitter provides a very even and precisely controllable heat source that will operate at a wide range of temperatures, resulting in uniform food temperatures at close distances.

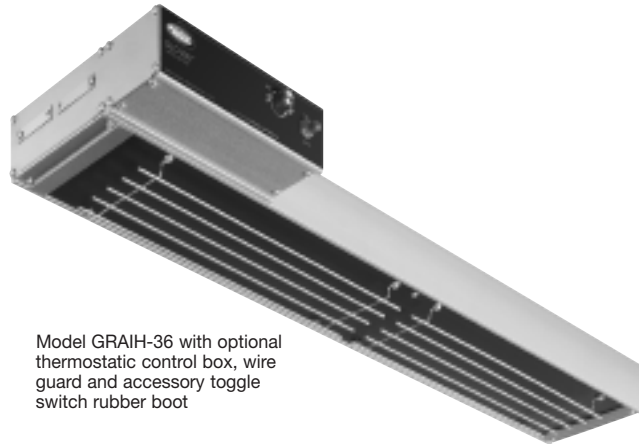
Infra-Black Foodwarmers require a remote control box with toggle or infinite switches or an attached thermostatic control box. This allows the unit to be used with a variety of food types, operations, mounting heights between 4" to 10" (102-254 mm) with single units and 8" to 14" (203-356 mm) with dual models. The temperature of the emitter can be easily adjusted with the thermostatic control to accommodate changing conditions and food product.

All models are available in powdercoated colors of Warm Red, Black, Gray Granite, White Granite, Navy Blue, and Hunter Green, or gloss finishes of Gleaming Gold, Glossy Gray, Bold Black, Radiant Red, Brilliant Blue. The powdercoated surfaces provide durability and are easy to clean.

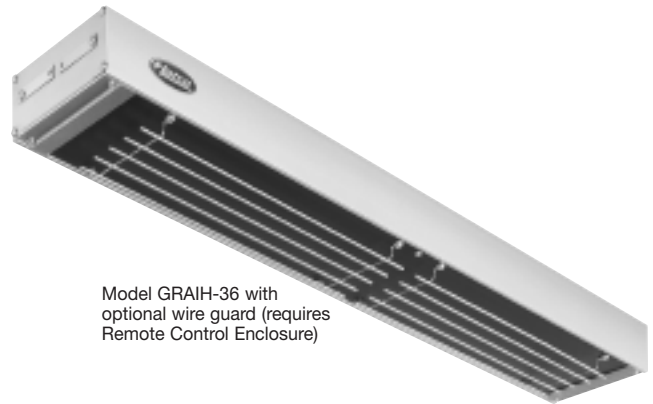
QUALITY

The following features assure the finest performance for years to come:

- Ideal for holding food safely with proper serving temperatures at close distances.
- The temperature is easily adjusted to accommodate changing conditions and food product.
- The flat black emitter provides even, precise controllable heat.
- Available in widths from 18" to 72" (457-1829 mm).
- Sturdy continuous aluminum housings eliminate sagging.
- Optional coated shatter-resistant incandescent lights enhance brilliant product display while safeguarding food products from bulb breakage.



Model GRAIH-36 with optional thermostatic control box, wire guard and accessory toggle switch rubber boot



Model GRAIH-36 with optional wire guard (requires Remote Control Enclosure)



METAL SHEATHED ELEMENTS GUARANTEED AGAINST BURNOUT AND BREAKAGE FOR TWO YEARS.



HATCO CORPORATION P.O. Box 340500 Milwaukee, WI 53234-0500 U.S.A.
 (800) 558-0607 • (414) 671-6350 • Fax (800) 543-7521 • Int'l. Fax (414) 671-3976
 www.hatcocorp.com • E-mail: equipsales@hatcocorp.com

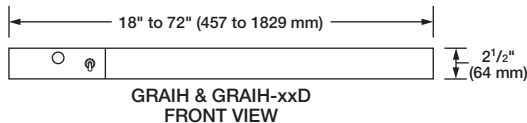
Form No. GRAIH Spec Sheet

Printed in U.S.A.
 September 2007



GLO-RAY® INFRA-BLACK® OVERHEAD FOODWARMERS

Models GRAIH-18, -24, -30, -36, -42, -48, -54, -60, -66, -72 GRAIHL-18, -24, -30, -36, -42, -48, -54, -60, -66, -72
GRAIH-18D, -24D, -30D, -36D, -42D, -48D, -54D, -60D, -66D, -72D GRAIHL-18D, -24D, -30D, -36D, -42D, -48D, -54D, -60D, -66D



GRAIH & GRAIH-xxD
FRONT VIEW

SPECIFICATIONS Infra-Black Models

Model	Watts	Width	Shipping Weight*
GRAIH-18	350	18" (457 mm)	6 lbs. (3 kg)
GRAIH-24	500	24" (610 mm)	11 lbs. (5 kg)
GRAIH-30	660	30" (762 mm)	13 lbs. (6 kg)
GRAIH-36	800	36" (914 mm)	15 lbs. (7 kg)
GRAIH-42	950	42" (1067 mm)	17 lbs. (8 kg)
GRAIH-48	1100	48" (1219 mm)	21 lbs. (10 kg)
GRAIH-54	1250	54" (1372 mm)	24 lbs. (11 kg)
GRAIH-60	1400	60" (1524 mm)	27 lbs. (12 kg)
GRAIH-66	1560	66" (1676 mm)	30 lbs. (14 kg)
GRAIH-72	1725	72" (1829 mm)	33 lbs. (15 kg)

Infra-Black Models with Lights

Model	Watts	Width	Shipping Weight*
GRAIHL-18	470	18" (457 mm)	12 lbs. (5 kg)
GRAIHL-24	620	24" (610 mm)	15 lbs. (7 kg)
GRAIHL-30	780	30" (762 mm)	17 lbs. (8 kg)
GRAIHL-36	980	36" (914 mm)	20 lbs. (9 kg)
GRAIHL-42	1130	42" (1067 mm)	23 lbs. (10 kg)
GRAIHL-48	1340	48" (1219 mm)	26 lbs. (12 kg)
GRAIHL-54	1490	54" (1372 mm)	29 lbs. (13 kg)
GRAIHL-60	1700	60" (1524 mm)	33 lbs. (15 kg)
GRAIHL-66	1860	66" (1676 mm)	34 lbs. (15 kg)
GRAIHL-72	2085	72" (1829 mm)	36 lbs. (16 kg)

Infra-Black Dual Models

Model	Watts	Width	Shipping Weight*
GRAIH-18D	700	18" (457 mm)	13 lbs. (6 kg)
GRAIH-24D	1000	24" (610 mm)	19 lbs. (9 kg)
GRAIH-30D	1320	30" (762 mm)	21 lbs. (10 kg)
GRAIH-36D	1600	36" (914 mm)	24 lbs. (11 kg)
GRAIH-42D	1900	42" (1067 mm)	27 lbs. (12 kg)
GRAIH-48D	2200	48" (1219 mm)	32 lbs. (15 kg)
GRAIH-54D	2500	54" (1372 mm)	35 lbs. (16 kg)
GRAIH-60D	2800	60" (1524 mm)	39 lbs. (18 kg)
GRAIH-66D	3120	66" (1676 mm)	42 lbs. (19 kg)
GRAIH-72D	3450	72" (1829 mm)	46 lbs. (21 kg)

OPTIONS (NOT FOR RETROFIT)

- Designer Colors: Warm Red, Black, Gray Granite, White Granite, Navy Blue, Hunter Green
- Gloss Finishes: Gleaming Gold, Glossy Gray, Bold Black, Radiant Red, Brilliant Blue
- Remote Control Enclosure
- Element (Emitter) Wire Guards
- Dual Mounting with 3" or 6" (76 or 152 mm) Spacer†
- Halogen Bulbs in lieu of Standard Display Lights

† Relay required for 120V 42"-72" (1067-1829 mm) and 208V 72" (1829 mm) models.

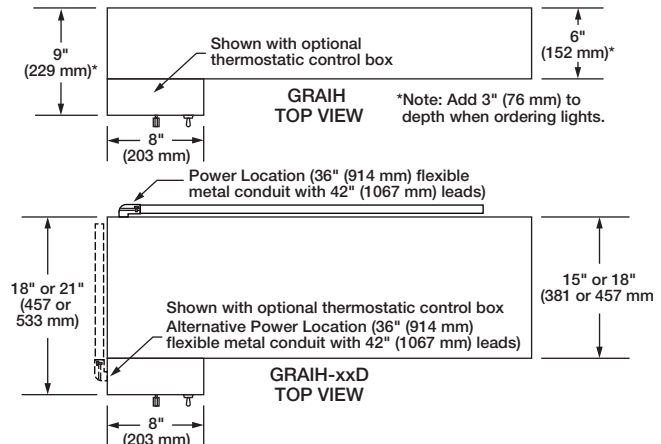
PRODUCT SPECS

Infra-Black Foodwarmer

The Infra-Black Foodwarmer shall be a Glo-Ray®, manufactured by the Hatco Corporation, Milwaukee, WI 53234 U.S.A.

With 24/7 parts and service assistance (U.S. and Canada only), the foodwarmer shall be an Infra-Black® Model ..., rated at ...watts, ...volts, single phase and be ...inches (millimeters) in overall width.

HATCO CORPORATION P.O. Box 340500 Milwaukee, WI 53234-0500 U.S.A. • (800) 558-0607 • (414) 671-6350
Fax (800) 543-7521 • Int'l. Fax (414) 671-3976 • www.hatcocorp.com • E-mail: equipsales@hatcocorp.com



Infra-Black Dual Models with Lights

Model	Watts	Width	Shipping Weight*
GRAIHL-18D	820	18" (457 mm)	18 lbs. (8 kg)
GRAIHL-24D	1120	24" (610 mm)	21 lbs. (10 kg)
GRAIHL-30D	1440	30" (762 mm)	23 lbs. (10 kg)
GRAIHL-36D	1780	36" (914 mm)	27 lbs. (12 kg)
GRAIHL-42D	2080	42" (1067 mm)	30 lbs. (14 kg)
GRAIHL-48D	2440	48" (1219 mm)	35 lbs. (16 kg)
GRAIHL-54D	2740	54" (1372 mm)	38 lbs. (17 kg)
GRAIHL-60D	3100	60" (1524 mm)	42 lbs. (19 kg)
GRAIHL-66D	3420	66" (1676 mm)	44 lbs. (20 kg)

* Does not include RMB.

DIMENSIONS

GRAIH: 18"-72"W x 6"D x 2 1/2"H (457-1829 x 152 x 64 mm).

GRAIHL: 18"-72"W x 9"D x 2 1/2"H (457-1829 x 229 x 64 mm).

GRAIH-xxD & GRAIHL-xxD with 3" (76 mm) Spacer:

18"-72"W x 15"D x 2 1/2"H (457-1829 x 381 x 64 mm).

GRAIH-xxD & GRAIHL-xxD with 6" (152 mm) Spacer:

18"-72"W x 18"D x 2 1/2"H (457-1829 x 457 x 64 mm).

Attached Control Enclosure: 8"W x 3"D x 2 1/2"H

(203 x 76 x 64 mm).

VOLTAGE

120, 208 and 240 volts, single phase. Models with lights rated 120, (3-wire), 120/208 or 120/240 volts, single phase, (4-wire).

MOUNTING REQUIREMENTS

Recommended Mounting Height – Single: 4"-10" (102-254 mm)

– Dual: 8"-14" (203-356 mm)

MINIMUM SPACING –

May not be installed in combustible surroundings.

Non-combustibles: 1" (25 mm) above and 4" (102 mm) below. Must be installed in pass through area. Units with remote switches may be installed 3" (76 mm) from a non-combustible back wall and flush to an overshef. Maximum 10" (254 mm) setback from the front of an overshef.

ACCESSORIES

- Non-Adjustable Tubular Dual Stands – 4", 6", 8", 10", 12", or 14" (102, 152, 203, 254, 305 or 356 mm) Height
- Adjustable Angle Brackets
- Chain Suspension

The Glo-Ray shall consist of an aluminum housing and require either a thermostatic control box or remote control enclosure.

The infrared heating element shall be tubular metal sheathed. The foodwarmer shall be factory assembled ready for electrical installation.

Accessories shall include non-adjustable tubular stand, adjustable angle brackets, and suspension chain.