



3CS2 HYDRO-HEATER SANITIZING SINK HEATERS

Models 3CS2-3, -4, -6 3CS2-3B, -4B, -6B, -9B

The Hatco Hydro-Heater is a state-of-the-art, high efficiency circulation water heater, using a combination of "free-flow" technology and advanced electronic controls for circulating hot water by natural convection in a sanitizing sink.

This heater features a tubular water chamber with heating elements uniquely wrapped outside the flow tube so elements do not come in direct contact with the water. The design reduces sediment and lime buildup on the element, resulting in longer life. A special electronic controller maintains the setpoint temperature assuring a responsive and efficient operation.

FLEXIBILITY

Designed to fit under the center of the sink, the 3CS2 is perfect for 3- or 4-compartment sinks, pot and pan sinks, and bar sinks with 180°F to 190°F (82°-88°C) controls.

QUALITY

The following features assure the finest performance for years to come:

- Utilizes "free-flow" technology and advanced electronic controls to assure a responsive and efficient operation.
- All models include a stainless steel front, powdercoated body, convenient drain outlet, and clean-out caps.



Model 3CS2-3

WATER QUALITY REQUIREMENTS

Incoming water in excess of 3.0 grains of hardness per gallon (GPG) (.75 grains of hardness per liter) must be treated and softened before being supplied to water heater(s). Water containing over 3.0 GPG (.75 GPL) will decrease the efficiency and reduce the operating life of the unit.

Note: Product failure caused by liming or sediment buildup is not covered under warranty.

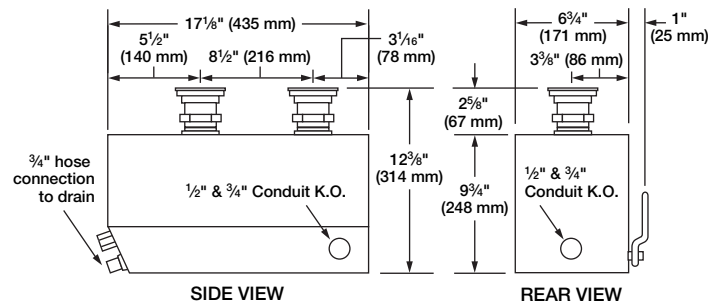


HATCO CORPORATION P.O. Box 340500 Milwaukee, WI 53234-0500 U.S.A.
 (800) 558-0607 • (414) 671-6350 • Fax (800) 543-7521 • Int'l. Fax (414) 671-3976
 www.hatcocorp.com • E-mail: equipsales@hatcocorp.com



3CS2 HYDRO-HEATER SANITIZING SINK HEATERS

Models 3CS2-3, -4, -6 3CS2-3B, -4B, -6B, -9B



SPECIFICATIONS

Model	kW	Phase	Sink Area	Shipping Weight
3CS2-3	3	1	15" (381 mm) Sq. or less	24 lbs. (11 kg)
3CS2-4	4	1	16"-18" (406-457 mm) Sq.	24 lbs. (11 kg)
3CS2-6	6	1	19"-21" (483-533 mm) Sq.	27 lbs. (12 kg)
3CS2-3B†	3	3	15" (381 mm) Sq. or less	24 lbs. (11 kg)
3CS2-4B†	4	3	16"-18" (406-457 mm) Sq.	24 lbs. (11 kg)
3CS2-6B†	6	3	19"-21" (483-533 mm) Sq.	27 lbs. (12 kg)
3CS2-9B†	9	3	21"-25" (533-635 mm) Sq.	27 lbs. (12 kg)

† Balanced 3-phase.

DIMENSIONS

7 3/4"W x 17 1/8"D x 12 3/8"H (197 x 435 x 314 mm).

VOLTAGE

208 or 240 volts, 50/60 Hz standard.

SIZING INFORMATION

For a Sink Heater: 2000 watts per sq. ft. (2,2 watts per sq. cm) of vessel top.

3CS2 Sink Heaters are sized based on 140°F (60°C) supply water with a 30 minute preheat period to reach the sanitizing temperature. Sink Heaters are mounted in the center of the third compartment sink with standard plumbing fittings provided. Two 2" (51 mm) diameter holes are required for these fittings and a full-size template is provided to locate holes in the sink. The 3CS2 Sink Heater is easily attached to the plumbing fittings with self-contained unions.

OPTIONS (NOT FOR RETROFIT)

- Stainless Steel Body and Base
- Auto-fill Solenoid
- Remote Mounted Control
- Security Package

ACCESSORIES

- Flush Hose, Cleaning Brush, Stopper, and Adapter

PRODUCT SPECS

Hydro-Heater Sanitizing Sink Heater

The electric heater to maintain the final sanitizing rinse in a third compartment sink shall be a Hydro-Heater Modelas manufactured by the Hatco Corporation, Milwaukee, WI 53234 U.S.A.

The Third Compartment Sink Heater shall be rated atkW,volts,phase. The heater shall be complete with all internal plumbing and wiring ready for external installation to the bottom of sink.

The sink heater shall be equipped with an on-off switch, a low-water cut-off, and a digital temperature display.

The heater shall consist of powdercoated black hammertone front and body (or optional stainless steel body and base).