



PROJECT	
ITEM #	
QUANTITY	DATE
APPROVAL	

SCFT-NU

Mobile Self-Contained Frost Top Serving Counter

Short Form Specifications

Exterior body is constructed of 18-gauge stainless steel side panels and 14-gauge galvanized bottom. All exterior side panels are reinforced with overlapping corner and are welded in place. All body cutouts are reinforced with 14-gauge galvanized channel supports.

Exterior top is constructed of 14-gauge stainless steel, welded, ground and polished into one integral unit. Top is fabricated with square exterior corners.

Frost top is 18-gauge stainless steel, one-piece construction and perimeter trough. Underside of frost top is sealed with refrigeration lines and insulated with high-density, closed cell polyurethane. Frost top assembly is enclosed in a galvanized steel jacket.

Refrigeration system uses HCFC-404a refrigerant and has a self-contained 115 volt, 60 Hertz, single phase hermetically sealed condensing unit with adjustable frost top temperature control. Unit is wired with a 3-wire, grounded, maximum 11 (3m) cord and plug. Unit has an on/off switch mounted on the exterior.

Casters: Unit is mounted on 5" (12.7cm) diameter swivel casters with non-marking polyolefin tires and plate brakes. Overall height of caster assembly is 6.00" (15.2cm).



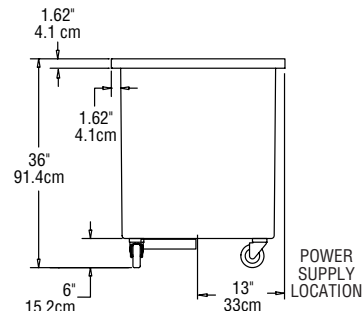
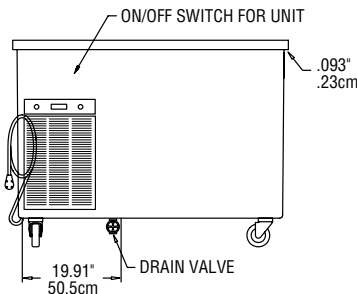
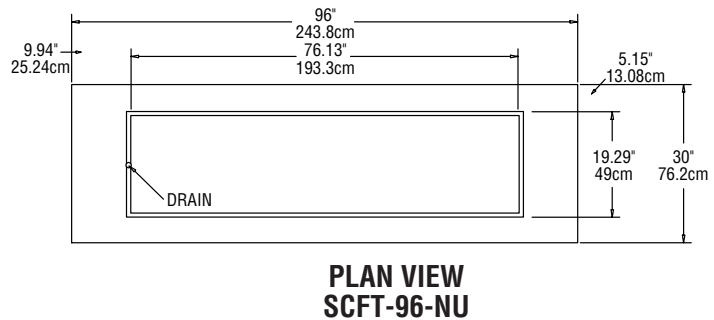
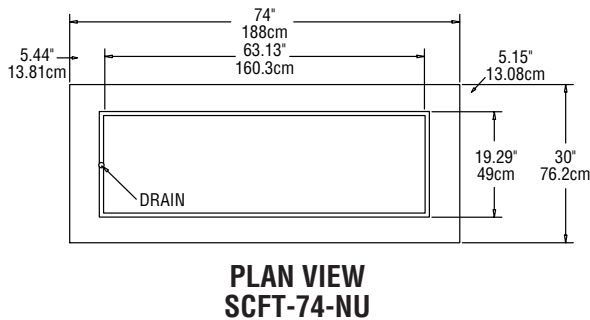
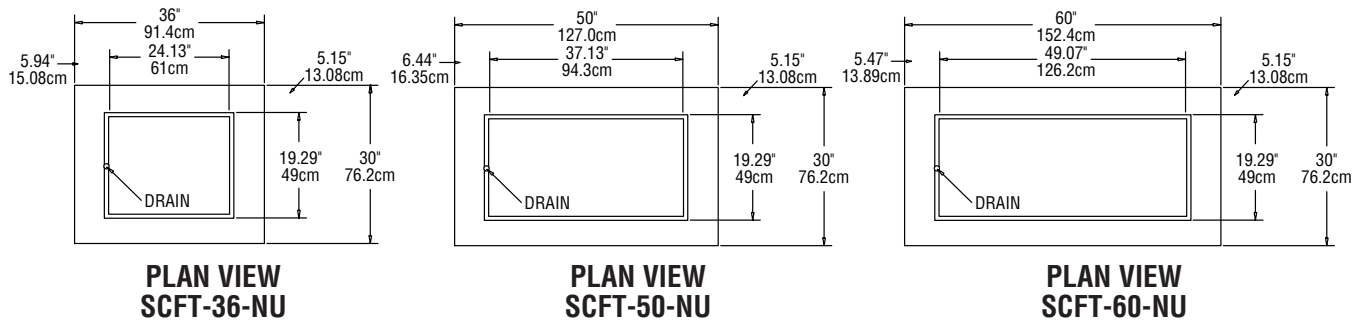
Model SCFT-74-NU

Optional Accessories and Modifications

- A) 12" (30.5cm) wide stainless steel fold-down tray slide
- C) 10" (25.4cm) wide three-bar fold-down tray slide
- D) 10" (25.4cm) wide composite fold-down cutting boards
- E) 10" (25.4cm) wide stainless steel fold-down work shelf
- F) Line-up interlock device
- G) Glass-front counter protector
- H) Two tier display with glass shelves and sneezeguards
- HD) Dual service two tier display with sneezeguards
- I) Three tier display with glass shelves and sneezeguards
- J) 12" (30.5cm) wide 18-gauge stainless steel overshef
- KS) Single service flip-up sneezeguard
- KD) Double service flip-up sneezeguard
- L) *Fluorescent OR incandescent light fixtures (specify which)
- P) Open understorage with shelf
- Q) *120V/60Hz/1Ø, 10 amp convenience outlet with breaker
- SG5A) Dry storage compartment — single door
- SG5B) Dry storage compartment — double door
- ST) Stainless steel trim strips
- U) 14" x 30" (35.6cm x 76.2cm) stainless steel end drop shelf
- V) 6" (15.2cm) high adjustable stainless steel legs in lieu of casters
- X) Laminate exterior panels in lieu of stainless steel exterior panels

*Inclusion of these options will alter the electrical specifications of unit.





Mechanical Data—Standard Unit

MODEL NUMBER	VOLTAGE/HERTZ/ PHASE	AMP	H.P.	NEMA PLUG	SHIP WEIGHT
SCFT-36-NU	115/60/1	8.0	1/4	5-15P	380 lbs/172 kg
SCFT-50-NU	115/60/1	8.0	1/4	5-15P	455 lbs/206 kg
SCFT-60-NU	115/60/1	8.0	1/4	5-15P	540 lbs/245 kg
SCFT-74-NU	115/60/1	8.0	1/4	5-15P	610 lbs/277 kg
SCFT-96-NU	115/60/1	8.0	1/4	5-15P	680 lbs/308 kg