



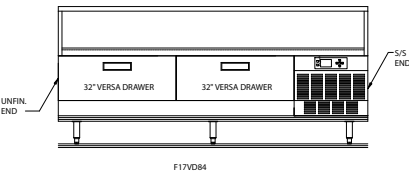
# F17VD

## Component Crafted Versa Drawer™ Equipment Stand

Project \_\_\_\_\_  
 Item \_\_\_\_\_  
 Quantity \_\_\_\_\_  
 CSI Section 11400  
 Approved \_\_\_\_\_  
 Date \_\_\_\_\_

### Models

F17VD84      84" Versa Drawer with (2) 32" drawers



F17VD84

### Standard Features

- 4 temperature operation—each drawer is completely independent and can operate as a refrigerator, freezer, chiller or thaw cabinet at any time
- Easy to use microprocessor control with push button function selection
- HACCP electronic record keeping, alarm notifications, and service diagnostics
- Heavy-gauge stainless steel top with 2"x4" backsplash is standard
- Standard on 6" adjustable legs
- Mechanical access on compressor end of unit
- 32" heavy duty full extension drawers with (2) 12"x20" pan capacity per drawer
- NSF 7 certified
- High density polyurethane foam throughout
- Dart style quick change gaskets
- 8' long electrical cord
- Environmentally friendly HFC-404A refrigerant
- 1.25"x9.5" maple cutting board
- One year parts, one year labor and 5 year compressor warranty

### Options & Accessories

- Casters
- Stainless steel end
- 230/50/1 electrical

### Specifications

**Exterior Top:** Constructed of one-piece heavy-gauge stainless steel with integral 2.12" (5.4cm) high square nosing at front and 1" (2.5cm) x 10" (25.4cm) sides and rear. 1.25" thick x 9.5" wide maple cuttin board mounted on stainless steel posts at front

**Exterior Sides, Back and Bottom:** heavy-gauge stainless steel side with removable stainless steel mechanical access panel on compressor end. Back, bottom and other end are constructed of galvanized steel.

**Interior:** Interior of each drawer section is a polyethylene rotocast liner with ABS drawer front liners

**Drawers:** Heavy-gauge stainless steel exterior front, with a thermoformed ABS plastic interior liner. Frame and tracks are constructed of 11 and 12-gauge stainless steel. Roller track assemblies have self-lubricating Delrin™ rollers.

**Refrigeration System:** Environmentally friendly HFC-404A refrigerant. Each independent drawer has it's own evaporator coil with expansion valve. Digital control acts as thermometer, thermostat and diagnostic center for each drawer. Hot gas defrost system is also utilized during thaw operation.

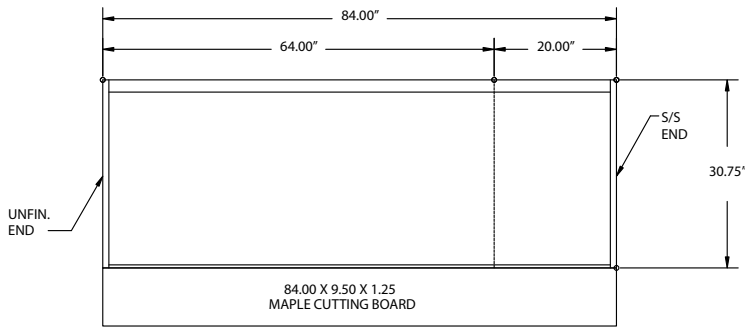
**Electrical Connections:** 115 volt, 60 Hertz, single phase. Unit is wired to a J-box and must be hardwired to the power source in the field.

**Installation:** Units built into chef counters or production centers must accomodate 24" of clearance on compressor end for service access.

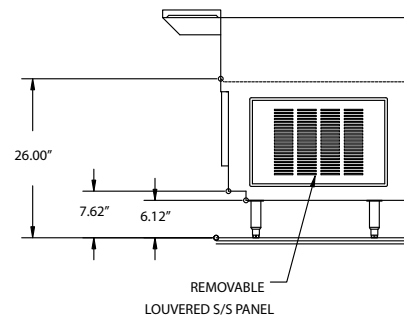
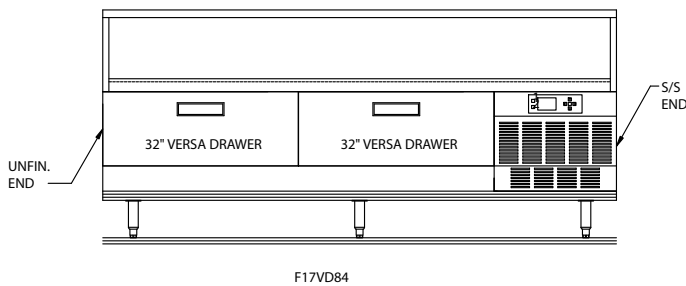
The Delfield Versa Drawer is a unique food holding device that includes an open food container disposed within a refrigerated cabinet such that both the container and interior of the cabinet are exposed to the same refrigerated environment, thereby eliminating the need for conventional dual environment systems which refrigerate food disposed within insulated, closed containers, while maintaining the interior of the cabinet at ambient temperature.



F17VD: VERSA DRAWER™ Equipment Stand



**Installation Note:** Units built into chef counters or production centers must accommodate 24" of clearance on compressor end for service access.


**Specifications**

Model Number	Overall			32" Drawers	12"x20" Pans	H.P.	Voltage	Amps	Nema Plug	Ship Weight lbs.	Energy Consumption kwh
	L	D	H								
F17VD84	84"	30.75"	26"	2	4	1/3	115	6.0	5-15	520	1.50*/4.01**

\*All drawers refrigerators.  
 \*\* All drawers freezers.