



**POINT-OF-USE
WATER HEATERS**

MODEL W-152

MODEL W-154

Economical point-of-use water heaters.



MODEL W-152
2 1/2 gallon



MODEL W-154
4 gallon

FEATURES

- Bronze, long-life storage tank. Nothing to corrode or wear out.
- Screw-in copper heating element can be easily replaced.
- Tank is insulated with expanded polystyrene, then jacketed in steel for maximum heat retention, minimum standby heat loss.
- Super fast recovery rate for better service.
- Drain provided for easy maintenance.
- Easy to install. Fits almost anywhere — under sinks, in cabinets, etc.
- Adjustable temperature range of 110° to 170° F.
- Operates on ordinary house current (110-120 volts).
- Comes with 3 1/2 foot cord and grounded plug.
- One year full warranty covers all parts, labor and on-site repairs by an In-Sink-Erator service agency.

SPECIFICATIONS



TANK CONSTRUCTION: Bronze.
TANK VOLUME:
 W-152: 2 1/2 U.S. gallons.
 W-154: 4 U.S. gallons.
VOLTAGE: 120 v.
HEATING CAPACITY: 1500 watts.
ELEMENT TYPE:
 Replaceable cartridge type.
TEMPERATURE RANGE: 110°-170°F.
OPERATING PRESSURE: 150 psi (max).
THERMOSTAT TYPE: Resettable.

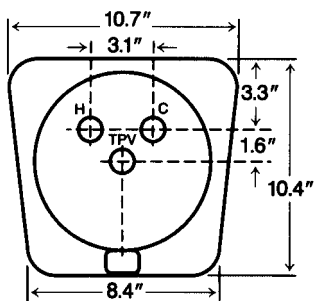
FIRST HOUR RATING (80°F RISE):
 W-152: 8.6 gal.
 W-154: 10.4 gal.
WATER CONNECTIONS: 1/2" NPT female.
PRESSURE RELIEF CONNECTION:
 3/4" NPT female.
OVERALL DIMENSIONS:
 W-152: 13.5"H x 10.4"D x 10.7"W.
 W-154: 20.2"H x 10.4"D x 10.7"W.



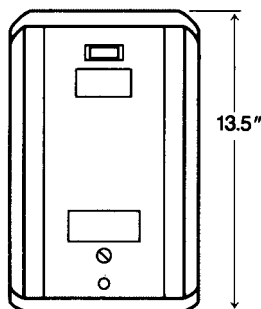
MODEL W-152

DIMENSIONS

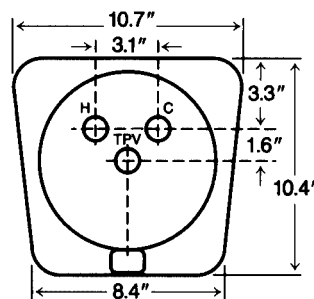
MODEL W-154



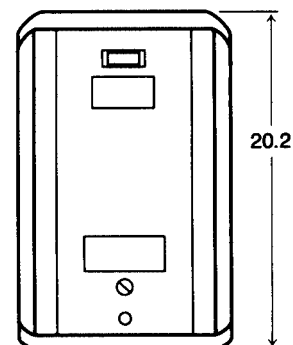
Top View



Front View



Top View



Front View



4700 21st STREET
 RACINE, WI 53406-5093
 TEL: 262 554-5432
 FAX: 262 554-3620
www.insinkerator.com

AnswerLine™
 1-800-558-5700



The Emerson logo is a trademark and a service mark of Emerson Electric Co.

