

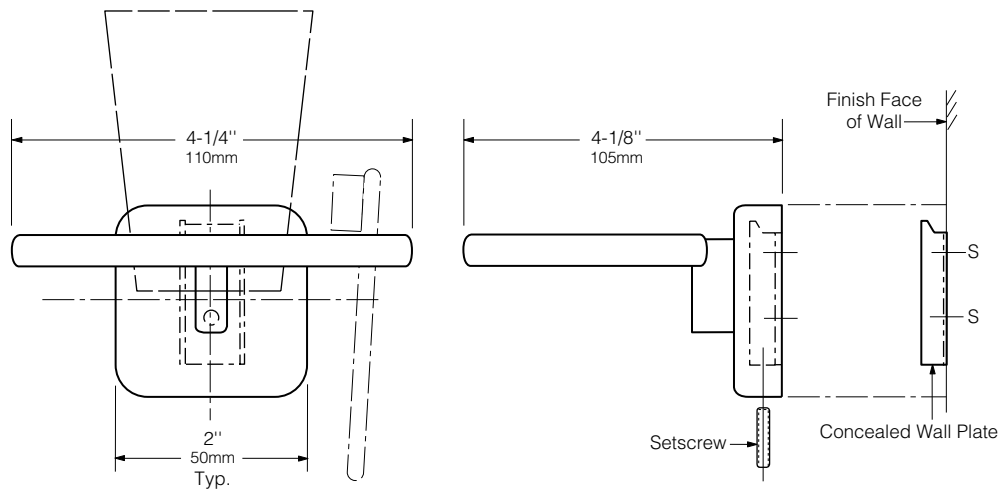


**Technical Data**

**SURFACE-MOUNTED  
TOOTHBRUSH AND  
TUMBLER HOLDER**

**B-7679  
B-76797**

**Specify Model Required:**  Model B-7679 Bright polished stainless steel  
 Model B-76797 Satin-finish stainless steel



**MATERIALS:**

**Flange & Support Arm** — 18-8 S, type-304, 22-gauge (0.8mm) stainless steel. Concealed, 18-gauge (1.2mm) stainless steel mounting bracket. All-welded construction. Secured to wall plate with a stainless steel setscrew.

**Concealed Wall Plate** — 18-8 S, type-304, 19-gauge (1.0mm) stainless steel.

**Toothbrush and Tumbler Holder** — 18-8 S, type-304, 22-gauge (0.8mm) stainless steel. Drawn, one-piece, seamless construction. Welded to the support arm. 2-3/8" (60mm) diameter hole in center holds tumbler. Accommodates six toothbrushes.

**INSTALLATION:**

To remove concealed wall plate from back of flange and mounting bracket, loosen setscrew. Mount wall plate so prongs are at top; secure with two sheet-metal screws, furnished by manufacturer, at points indicated by an S. Engage mounting bracket onto prongs of wall plate, then secure unit into position by tightening setscrew at bottom of flange.

For plaster or dry wall construction, provide concealed backing to comply with local building codes, then secure unit with sheet-metal screws furnished. For other wall surfaces, provide fiber plugs or expansion shields for use with sheet-metal screws furnished, or provide 1/8" (3mm) toggle bolts or expansion bolts.

**SPECIFICATION:**

Surface-mounted toothbrush and tumbler holder shall be type-304 stainless steel with \_\_\_\_\_ (insert one: bright polished or satin) finish. Flange and support arm shall be 22 gauge (0.8mm) and equipped with a concealed, 18-gauge (1.2mm) mounting bracket that is secured to a concealed, 19-gauge (1.0mm) wall plate with a stainless steel setscrew. Drawn, one-piece, seamless, 22-gauge (0.8mm) toothbrush and tumbler holder shall be welded to the support arm. Manufacturer's service and parts manual shall be provided to the building owner/manager upon completion of project.

**Surface-Mounted Toothbrush And Tumbler Holder shall be Model \_\_\_\_\_ (insert model number) of Bobrick Washroom Equipment, Inc., Clifton Park, New York; Jackson, Tennessee; Los Angeles, California; Bobrick Washroom Equipment Company, Scarborough, Ontario; Bobrick Washroom Equipment Pty. Ltd., Australia; and Bobrick Washroom Equipment Limited, United Kingdom.**