

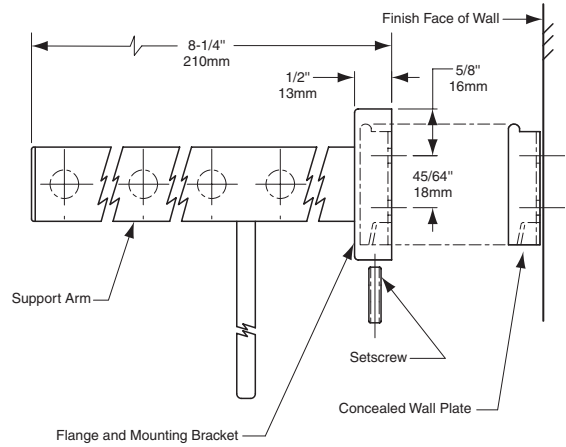
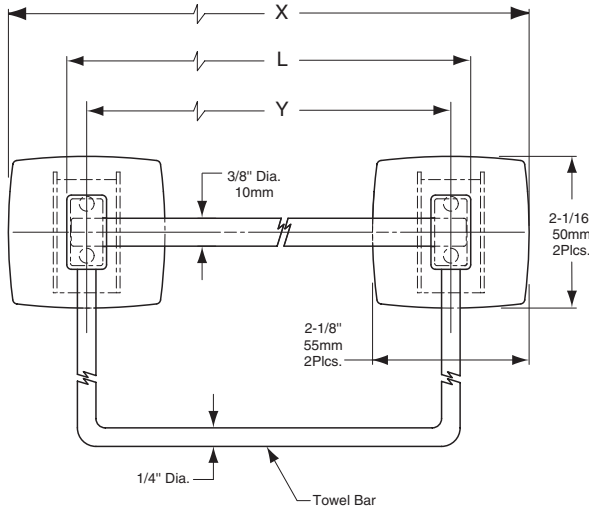


**Technical Data**

**SURFACE-MOUNTED  
TOWEL SHELF WITH  
TOWEL BAR**

**B-7676  
B-76767**

Specify Model Required:  Model B-7676 Bright polished stainless steel  
 Model B-76767 Satin-finish stainless steel



**STANDARD STOCK SIZES**

Model No.	Bar Length L	Overall Length X	Centerline-to-Centerline Y
B-7676 x 24	24" (610mm)	25-5/8" (650mm)	23-5/8" (600mm)
B-76767 x 24	24" (610mm)	25-5/8" (650mm)	23-5/8" (600mm)



**MATERIALS:**

**Flanges & Support Arms (2)** — 18-8 S, type-304, 22-gauge (0.8mm) stainless steel. Each flange has concealed, 18-gauge (1.2mm) stainless steel mounting bracket. All-welded construction. Secured to wall plates with stainless steel setscrews.

**Concealed Wall Plates (2)** — 18-8 S, type-304, 19-gauge (1.0mm) stainless steel.

**Shelf & Towel Bar** — 18-8 S, type-304, heavy-gauge stainless steel. Shelf consists of four seamless 3/8" (9.5mm) diameter tubing with 1/4" (6mm) towel bar below.

**INSTALLATION:**

To remove concealed wall plates from back of flanges and mounting brackets, loosen locking setscrews. Mount each wall plate so prongs are at top; secure with sheet-metal screws, furnished by manufacturer, at points indicated by an S. Engage mounting brackets onto prongs of wall plates, then secure into position by tightening setscrews at bottom of flanges.

**Note:** Centerline-to-centerline of concealed wall plates must be within 1/16" (1.6mm) of the length dimension.

For plaster or dry wall construction, provide concealed backing to comply with local building codes, then secure unit with screws furnished. For other wall surfaces, provide fiber plugs or expansion shields for use with sheet-metal screws, or provide 1/8" (3mm) toggle bolts or expansion bolts.

**SPECIFICATION:**

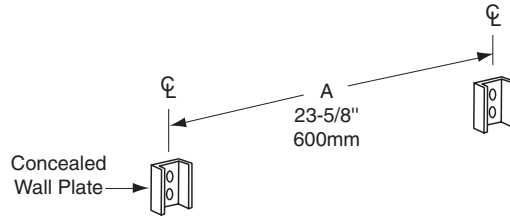
Surface-mounted towel shelf with towel bar shall be type-304 stainless steel with \_\_\_\_\_ (insert one: bright polished or satin) finish. Flanges and support arms shall be 22 gauge (0.8mm) and equipped with concealed, 18-gauge (1.2mm) mounting brackets that are secured to concealed, 19-gauge (1.0mm) wall plates with setscrews. Shelf shall be 3/8" (9.5mm) diameter tubing. Towel bar shall be 1/4" (6mm) diameter tubing. Manufacturer's service and parts manual shall be provided to the building owner/manager upon completion of project.

Surface-Mounted Towel Shelf With Towel Bar shall be Model \_\_\_\_\_ (insert model number) of Bobrick Washroom Equipment, Inc., Clifton Park, New York; Jackson, Tennessee; Los Angeles, California; Bobrick Washroom Equipment Company, Scarborough, Ontario; Bobrick Washroom Equipment Pty. Ltd., Australia; and Bobrick Washroom Equipment Limited, United Kingdom.

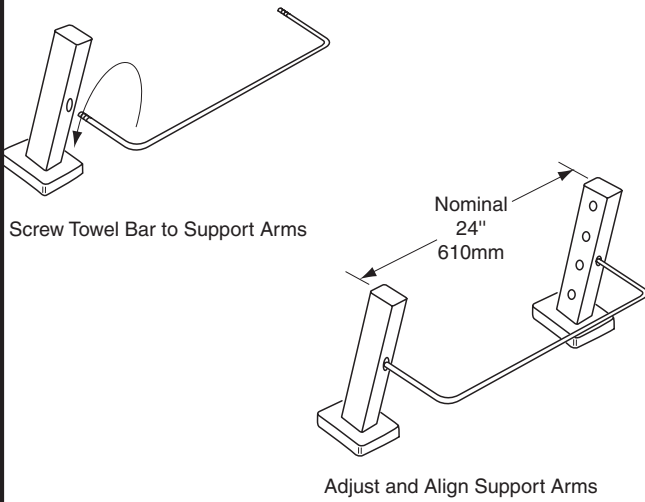
# ASSEMBLY INSTRUCTIONS

## BOBRICK SURFACE-MOUNTED TOWEL SHELF WITH TOWEL BAR

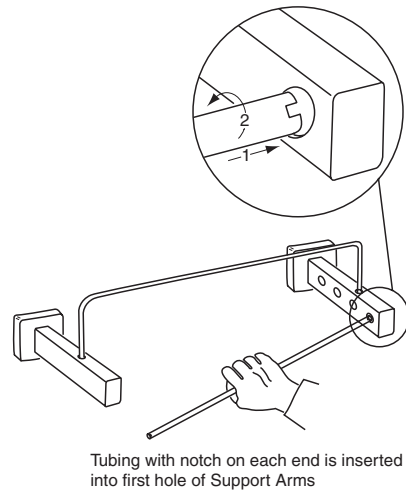
1. Fasten the two Concealed Wall Plates with dimension A center line to center line.



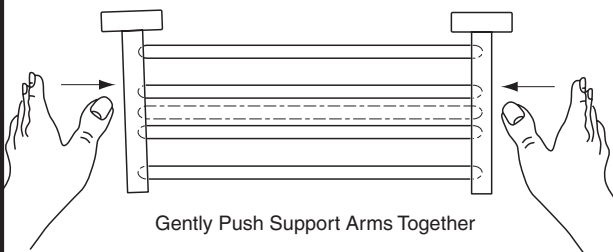
2. Assemble Towel Bar.



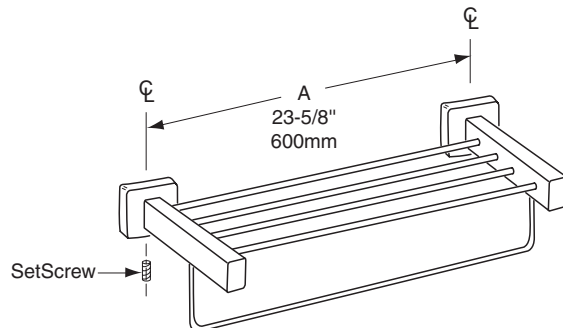
3. Assemble the Front Notched Tubing.



4. Assemble the remaining Tubing.



5. Once Tubing is in place measure Dimension A.



In the U.S.A.: **BOBRICK WASHROOM EQUIPMENT, INC.**

200 Commerce Drive, Clifton Park, New York 12065-1350 • Tel: 518/877-7444 • FAX: 518-877-5029  
11611 Hart Street, North Hollywood, California 91605-5882 • Tel: 818/982-9600 • FAX: 818-503-1102  
100 Bobrick Drive, Jackson, Tennessee 38301-5625 • Tel: 731/424-7000 • FAX: 731-424-7800

In Canada: **BOBRICK WASHROOM EQUIPMENT COMPANY**

45 Rolark Drive, Scarborough, Ontario M1R 3B1 • Tel: 416/298-1611 • FAX: 416-298-6351