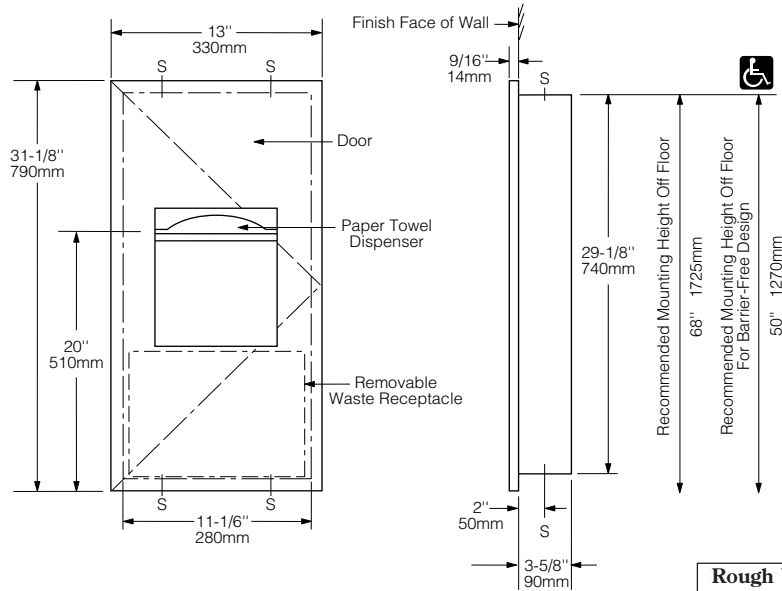




Technical Data

TrimLineSeries™ RECESSED PAPER TOWEL DISPENSER AND WASTE RECEPTACLE

B-36903



Rough Wall Opening
11-1/2" (290mm) wide
29-1/2" (750mm) high
3-3/4" (95mm) minimum recessed depth

MATERIALS:

Cabinet — 18-8 S, type-304, heavy-gauge stainless steel. All-welded construction.

Flange — 18-8 S, type-304, 22-gauge (0.8mm) stainless steel with satin finish. Drawn, one-piece, seamless construction.

Door — 18-8 S, type-304, 18-gauge (1.2mm) stainless steel. 9/16" (14mm) 90° return edges for maximum rigidity. Secured to cabinet with a concealed, full-length stainless steel piano-hinge. Equipped with a stainless steel cable door-swing limiter and friction catch.

Paper Towel Dispenser — 18-8 S, type-304, 22-gauge (0.8mm) stainless steel. Capacity: 300 C-fold or 400 multifold paper towels.

Waste Container — Removable, leakproof, rigid molded plastic. Capacity: 1.6-gal. (6.1-L).

OPERATION:

Paper towel dispenser accommodates C-fold and multifold paper towels without adjustment or use of adapters. Waste receptacle is serviced by opening door and removing waste container. Door conceals flange from view. Cable door-swing limiter prevents damage to washroom accessories and walls.

INSTALLATION:

Provide framed rough wall opening 11-1/2" wide x 29-1/2" high (290 x 750mm). Minimum recessed depth required from finish face of wall is 3-3/4" (95mm). Allow clearance for construction features that may protrude into rough wall opening from opposite wall.

Coordinate with mechanical engineer to avoid pipes, vents, and conduits. If unit projects above top of wainscot, provide aluminum channel or other filler to eliminate gap between flange and finish face of wall. Mount cabinet with shims between framing and cabinet at all points indicated by an S, then secure unit with #8 x 1-1/4" (4.2 x 32mm) sheet-metal screws (not furnished).

SPECIFICATION:

Recessed paper towel dispenser and waste receptacle shall be type-304 stainless steel with all-welded construction. Exposed surfaces shall have satin finish. Flange shall be drawn, one-piece, seamless construction. Door shall be 18 gauge (1.2mm); have 9/16" (14mm) 90° return edges; be secured to cabinet with a concealed, full-length stainless steel piano-hinge; and equipped with a stainless steel cable door-swing limiter and friction catch. Door conceals flange from view. Paper towel dispenser shall be capable of dispensing 300 C-fold or 400 multifold paper towels without adjustment or use of adapters. Waste receptacle shall be furnished with a removable, leakproof, rigid molded plastic waste-container with a capacity of 1.6-gal. (6.1-L). Manufacturer's service and parts manual shall be provided to the building owner/manager upon request.

Recessed Paper Towel Dispenser And Waste Receptacle shall be Model B-36903 of Bobrick Washroom Equipment, Inc., Clifton Park, New York; Jackson, Tennessee; Los Angeles, California; Bobrick Washroom Equipment Company, Scarborough, Ontario; Bobrick Washroom Equipment Pty. Ltd., Australia; and Bobrick Washroom Equipment Limited, United Kingdom.