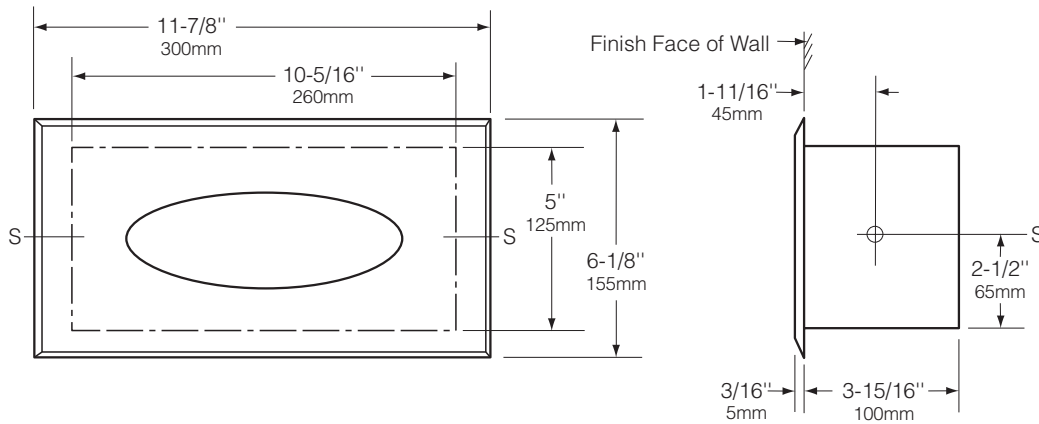
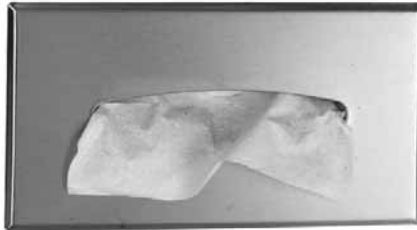




**Technical Data**

**RECESSED  
FACIAL TISSUE  
DISPENSER**

**B-355**



**Rough Wall Opening**  
 10-3/4" (275mm) wide  
 5-1/4" (135mm) high  
 4" (102mm) minimum  
 recessed depth

**MATERIALS:**

**Cabinet** — Heavy-gauge galvanized steel. Capacity: one box of 300 two-ply facial tissues.

**Faceplate** — 18-8 S, type-304, 22-gauge (0.8) stainless steel with satin finish. Faceplate snaps off for filling.

**INSTALLATION:**

Provide framed rough wall opening 10-3/4" wide x 5-1/4" high (275 x 135mm). Minimum recessed depth required from finish face of wall is 4" (102mm). Allow clearance for construction features that may protrude into opening from opposite wall. Coordinate with mechanical engineer to avoid pipes, vents, and conduits. Mount unit with shims between framing and cabinet at all points indicated by an S, then secure unit with sheet-metal screws furnished by manufacturer.

**SPECIFICATION:**

Recessed facial tissue dispenser shall have type-304 stainless steel faceplate with satin finish. Unit shall have a capacity of 300 two-ply facial tissues. Manufacturer's service and parts manual shall be provided to the building owner/manager upon completion of project.

**Recessed Facial Tissue Dispenser shall be Model B-355 of Bobrick Washroom Equipment, Inc., Clifton Park, New York; Jackson, Tennessee; Los Angeles, California; Bobrick Washroom Equipment Company, Scarborough, Ontario; Bobrick Washroom Equipment Pty. Ltd., Australia; and Bobrick Washroom Equipment Limited, United Kingdom.**