

BMPM030 30 Quart Mixer



- * Floor model
- * Three fixed speeds
- * Easy speed shifting
- * 100% gear driven
- * Long life gear box
- * Heavy duty construction
- * Powerful motor
- * # 12 Hub

Standard Accessories

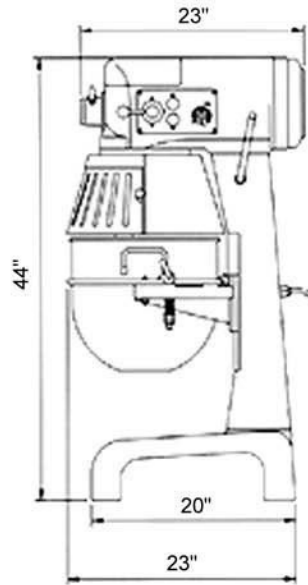
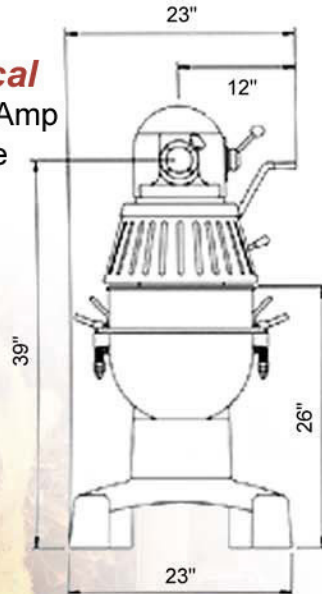
- * Spiral Dough Arm
- * Flat Beater
- * Wire Whip
- * 30 Quart Bowl
- * Safety Guard



Optional Accessories

- * 20 Quart Bowl
- * 20 Quart Spiral Dough Arm
- * 20 Quart Flat Beater
- * 20 Quart Wire Whip
- * 15 Min. Timer
- * Vegetable Slicer Attachment
- * Meat Grinder Attachment

Electrical
110V / 16 Amp
1 Phase



Model No.	Bowl Capacity	Motor	Agitator Speed (RPM)	Hub	15 Min Timer	Safety Guard	Weight
BMPM030	30 Quart	1 HP 0.75kw	60 Cycle Motor	Std	----	Std	366 lbs
			95 190 350	Std	Optional	Std	166 kg

One year parts and labor warranty

Think Quality, Value, Service.....Think **BakeMax**

Authorized Dealer

Call Toll free 1-800-565-Bake (2253)
Visit www.bakemax.com

Machines may not be exactly as shown. Specifications may change without notice.
Further technical information available upon request.