



STAINLESS STEEL & PLASTIC UTILITY CARTS



150 lb. Capacity

FEATURES:

Knock Down Unit.
 4" Swivel Casters
 Sound dampening pads affixed to shelving bottom.
 Adjustable shelves furnished with 1 1/4" x 1" square die embossed NO-DRIP countertop edge with 1/2" return on four sides.

CONSTRUCTION:

Unit assembles using tapered split sleeves.
 Set of four 4" swivel casters includes two casters with brakes and 4 donut bumpers.

MATERIAL:

SHELVES: Heavy gauge stainless steel.

TUBING: chrome post.

Model #	A	B	Length	Width	Wt.
UC-3-1827	18"	27"	34 1/2"	18"	27 lbs.
UC-3-2433	24"	33"	40 1/2"	24"	35 lbs.

Item #: _____ Qty #: _____

Model #: _____

Project #: _____



FEATURES:

K.D. Unit.
 4" Swivel Casters, 2 with brakes.
 3 shelves with 1/4" retaining lip all sides.
 150 lb. weight capacity.
 Easy to assemble.

CONSTRUCTION:

Injection molded thermoplastic.

MATERIAL:

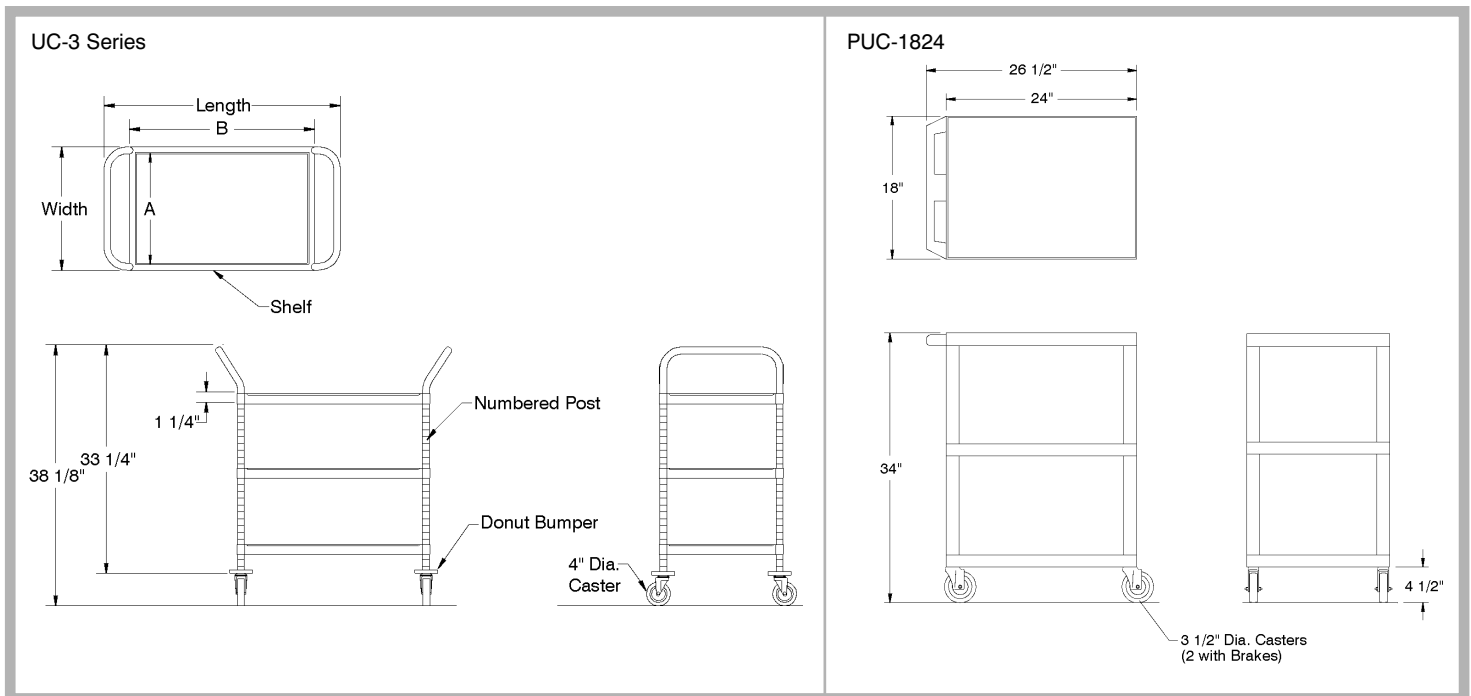
Black thermoplastic.

MODEL #	Length	Width	Wt.
PUC-1824	26 1/2"	18"	28 lbs.

DETAILS and SPECIFICATIONS

TOL ± .500"

ALL DIMENSIONS ARE TYPICAL



NEW YORK
 (800) 645-3166
 Fax: (631) 242-6900

GEORGIA
 (800) 832-1218
 Fax: (770) 775-5625

TEXAS
 (800) 527-0353
 Fax: (972) 932-4795

NEVADA
 (800) 446-8684
 Fax: (775) 972-1578

For Assistance with Smart Modifications & Accessories Call:

1-800-498-6634 Fax: 631-586-2933
 smartfab@advancetabco.com