



STAINLESS STEEL  
**MICROWAVE  
SHELVES**



**A Convenient Place for your  
MICROWAVE!**



**FOR TABLE MOUNTED MICROWAVE SHELVES:**  
Use **OTS Shelving** and add **TA-102** for Microwave  
24" x 24" extension. Specify Right or Left.

OPTIONAL	Model #	Qty
Table Mounted Microwave Shelf	TA-102	
2" Hole with Grommet For Appliance Cord	TA-108	

**Item #:** \_\_\_\_\_ **Qty #:** \_\_\_\_\_

**Model #:** \_\_\_\_\_

**Project #:** \_\_\_\_\_

**Wall Mounted**

Width	Model #	W x L	Weight
18"	MS-18-24	18" x 24"	15 lbs.
24"	MS-24-24	24" x 24"	20 lbs.
24"	MS-24-36	24" x 36"	38 lbs.

**CONSTRUCTION:**

All TIG welded.

Exposed surfaces polished to a satin finish.

**MATERIAL:**

18 gauge stainless steel.

**OPTIONAL TABLE MOUNTED UNITS:**

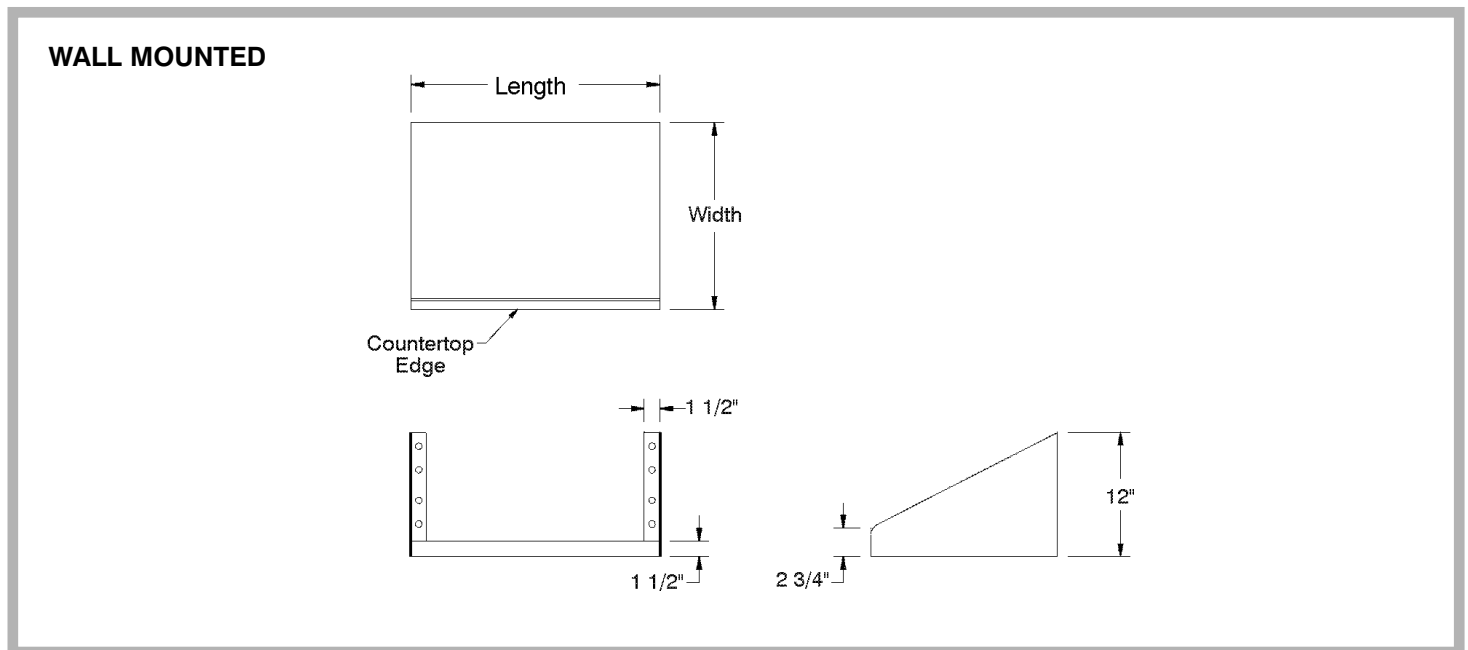
Mounted on tubular supports and fastened to the top with expanding tubular connectors.

Please use *OTS Series Shelving* and add **TA-102** for 24" x 24" extension for table mounted version.

**DETAILS and SPECIFICATIONS**

TOL ± .500"

ALL DIMENSIONS ARE TYPICAL



**NEW YORK**  
(800) 645-3166  
Fax: (631) 242-6900

**GEORGIA**  
(800) 832-1218  
Fax: (770) 775-5625

**TEXAS**  
(800) 527-0353  
Fax: (972) 932-4795

**NEVADA**  
(800) 446-8684  
Fax: (775) 972-1578