



STAINLESS STEEL TABLE WITH SINK

Item #: _____ **Qty #:** _____

Model #: _____

Project #: _____

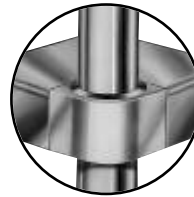


KMS-11B-305R Shown

NEW
Rolled Rim Edge on
Front & Square
Edges on Side & Back



Bullet Feet



Featuring as Standard:
"THE PROVEN"
ORIGINAL ADVANCE TABCO
**Adjustable Undershelf
with Die Cast Leg Clamp**



FEATURES:

Top is furnished with 1 5/8" sanitary rolled rim edge on front and square sides, and a 5" splash with a 1" return on the rear side.
THREE hat channels welded to reinforce and maintain a level working surface.
Pre-engineered welded angle adapters insure ease of future drawer installation.
Aluminum die cast "leg-to-shelf" clamp secures shelf to leg eliminating unsightly nuts and bolts. Undershelf is adjustable.
Stainless steel 16" x 20" x 12" sink integrally welded to top.
K-50 Deck Mounted Faucet included.

CONSTRUCTION:

All TIG welded. Exposed weld areas polished to match adjacent surfaces.
Entire top mechanically polished to a satin finish.
Top is sound deadened.
Roll formed embossed galvanized hat channels are secured to top by means of structural adhesive and weld studs.
Gussets welded to support hat channels.

MATERIAL:

TOP is 16 gauge stainless steel type "304" series.
SHELF is 18 gauge stainless steel type "430" series.
LEGS are 1 5/8" diameter, tubular stainless steel with stainless steel gussets and 1" adjustable stainless steel bullet feet.

Model #	Length	Weight
KMS-11B-305L	30"X60"	140 lbs.
KMS-11B-305R	30"X60"	140 lbs.
KMS-11B-306L	30"X72"	165 lbs.
KMS-11B-306R	30"X72"	165 lbs.

Choose Left or Right Sink Position



NEW YORK
(800) 645-3166
Fax: (631) 242-6900

GEORGIA
(800) 832-1218
Fax: (770) 775-5625

TEXAS
(800) 527-0353
Fax: (972) 932-4795

NEVADA
(800) 446-8684
Fax: (775) 972-1578

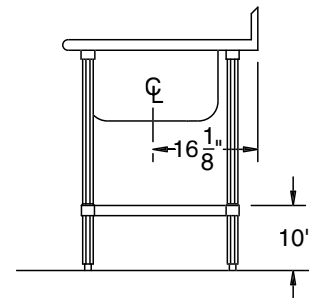
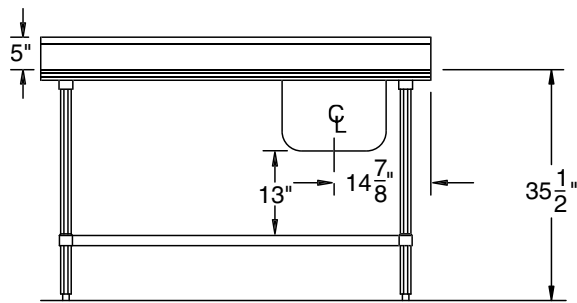
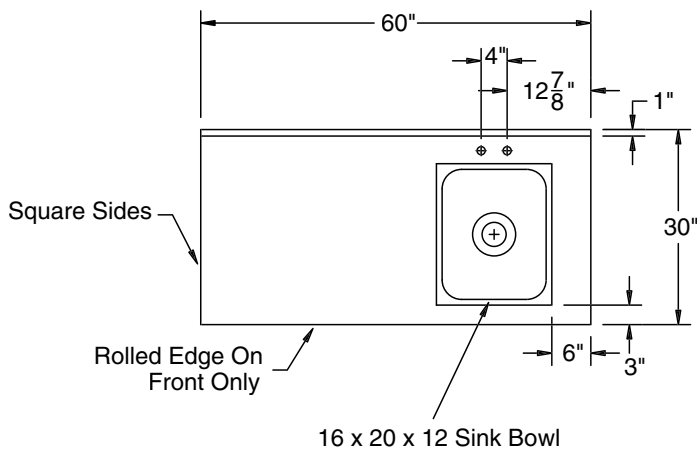
For Assistance with Smart Modifications & Accessories Call: **1-800-498-6634 Fax: 631-586-2933**
smartfab@advancetabco.com

DETAILS and SPECIFICATIONS

TOL ± .500"

ALL DIMENSIONS ARE TYPICAL

KMS-11B-305R SHOWN



KMS-11B-306R SHOWN

