



STAINLESS STEEL  
**CONVENIENCE STORE SINKS** 

**Item #:** \_\_\_\_\_ **Qty #:** \_\_\_\_\_  
**Model #:** \_\_\_\_\_  
**Project #:** \_\_\_\_\_



3 Compartment Sink with  
2 drainboards Shown

***Our Solution...to Your Limited Space Problem***  
**In Six Feet or less...**  
**you can WASH, RINSE & SANITIZE**

**FEATURES:**

Tile edge for ease of installation.  
 2 or 3 compartments, 2 drainboards with splash stainless steel legs and cross-bracing.  
 Placement of the welded leg assembly ensures stability and furnishes direct support of the column load requirement for the entire sink unit.

**CONSTRUCTION:**

All TIG welded.  
 Welded areas blended to match adjacent surfaces and to a satin finish.


**MATERIAL:**

Unit is 18 gauge type "304" stainless steel.  
 Legs are 1 5/8" diameter heavy gauge tubular stainless steel with stainless steel gussets.  
 1" adjustable stainless steel bullet feet.

| Bowl Size | Overall Length | # of Compart. | MODEL #  |
|-----------|----------------|---------------|----------|
| 10x14     | 46"            | 2             | K7-CS-20 |
|           | 58"            | 3             | K7-CS-21 |
|           | 70"            | 3             | K7-CS-22 |
| 14x16     | 70"            | 3             | K7-CS-29 |
| 12x20     | 64"            | 3             | K7-CS-32 |

| ACCESSORIES | Model # | Qty |
|-------------|---------|-----|
| FAUCETS     |         |     |
|             |         |     |
|             |         |     |

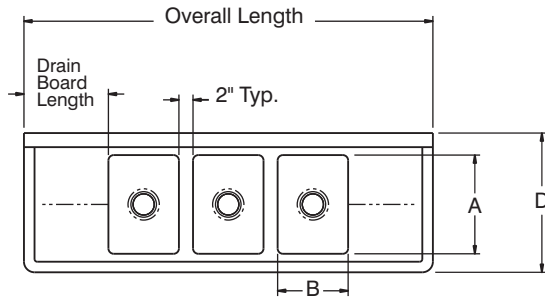
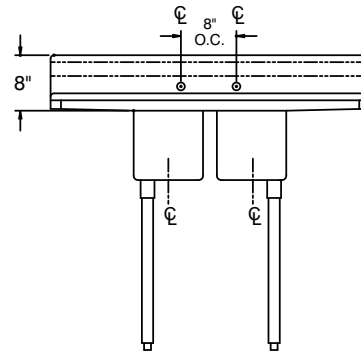
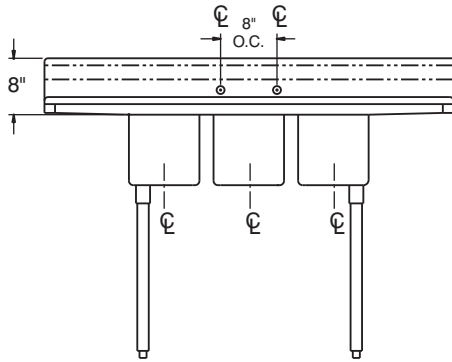
**CORNER SINKS ALSO AVAILABLE. PLEASE SEE "KORNER SINKS" SPECIFICATION SHEET**

|   |   |  |  |   |
|---|---|--|--|---|
| <br><a href="http://www.advancetabco.com">www.advancetabco.com</a> | <p><b>NEW YORK</b><br/>         (800) 645-3166<br/>         Fax: (631) 242-6900</p> | <p><b>GEORGIA</b><br/>         (800) 832-1218<br/>         Fax: (770) 775-5625</p> | <p><b>TEXAS</b><br/>         (800) 527-0353<br/>         Fax: (972) 932-4795</p> | <p><b>NEVADA</b><br/>         (800) 446-8684<br/>         Fax: (775) 972-1578</p> |
|---|---|--|--|---|

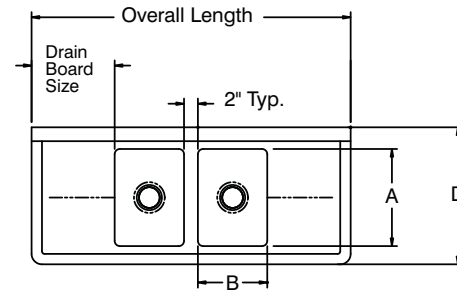
# DIMENSIONS and SPECIFICATIONS

TOL Overall:  $\pm .500''$   
 Interior:  $\pm .250''$

ALL DIMENSIONS ARE TYPICAL



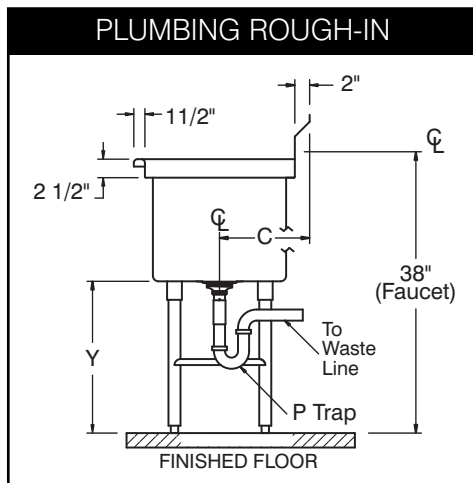
3 Compartment Sink with 2 drainboards Shown



2 Compartment Sink with 2 drainboards Shown

| MODEL #  | BOWL (SIZE) | Overall Length | Drainboard Length | WT** (lbs) | A   | B   | C   | D       | X   | Y   |
|----------|-------------|----------------|-------------------|------------|-----|-----|-----|---------|-----|-----|
| K7-CS-20 |             | 46"            | 12"               | 75         | 14" | 10" | 10" | 19 1/2" | 10" | 24" |
| K7-CS-21 | 10x14       | 58"            | 12"               | 85         | 14" | 10" | 10" | 19 1/2" | 10" | 24" |
| K7-CS-22 |             | 70"            | 18"               | 100        | 14" | 10" | 10" | 19 1/2" | 10" | 24" |
| K7-CS-29 | 14x16       | 70"            | 12"               | 135        | 16" | 14" | 11" | 21 1/2" | 12" | 22" |
| K7-CS-32 | 12x20       | 64"            | 12"               | 110        | 20" | 12" | 13" | 25 1/2" | 12" | 22" |

\*\* Approx. Shipping Weights



### MECHANICAL:

- Supply is 1/2" IPS hot & cold.
- Faucet holes on 8" centers.
- Faucets are not included (see accessories).
- Waste drains are 1 1/2" IPS S/S basket type, located in center of sink bowl, and are included.

