



# STAINLESS STEEL CONVENIENCE STORE SINKS



**Item #:** \_\_\_\_\_ **Qty #:** \_\_\_\_\_  
**Model #:** \_\_\_\_\_  
**Project #:** \_\_\_\_\_

All units furnished with 2 integral drainboards



**Optional Poly-Vance Cutting Boards Available**

**FEATURES:**

- Tile edge for ease of installation.
- One piece **Deep Drawn** sink bowls with integral drainboards with splash.
- Featuring the single bowl unit design.
- All sink bowls have a large liberal 3" radius.
- Placement of the welded leg assembly ensures stability and furnishes direct support of the column load requirement for the entire sink unit.

**CONSTRUCTION:**

- All TIG welded.
- Welded areas blended to match adjacent surfaces and to a satin finish.
- Gussets welded to a die-embossed reinforcing channel.

**MATERIAL:**

- Unit is heavy gauge type "304" stainless steel.
- Legs are 1 5/8" diameter heavy gauge tubular stainless steel with stainless steel gussets.
- 1" adjustable stainless steel bullet feet.

**YES! It's SeaLess!**

| Bowl Size | Overall Length | MODEL #          | # of Comp. | Configuration | Optional Poly-Vance Cutting Board |
|-----------|----------------|------------------|------------|---------------|-----------------------------------|
| 10x14     | 48"            | <b>K7-CS-20</b>  | 2          | STRAIGHT      | K-2A                              |
|           | 60"            | <b>K7-CS-21</b>  | 3          |               | K-2A                              |
|           | 72"            | <b>K7-CS-22</b>  | 3          |               | K-2A                              |
|           | 73"            | <b>K7-CS-25*</b> | 4          |               | K-2A                              |
| 14x16     | 72"            | <b>K7-CS-29</b>  | 3          | STRAIGHT      | K-2B                              |
|           | 89"            | <b>K7-CS-35*</b> | 4          |               | K-2B                              |
| 12x20     | 66"            | <b>K7-CS-32</b>  | 3          | STRAIGHT      | K-2B                              |

| ACCESSORIES | Model # | Qty |
|-------------|---------|-----|
| FAUCETS     |         |     |
|             |         |     |
|             |         |     |

\* Requires 2 Sets of Faucets

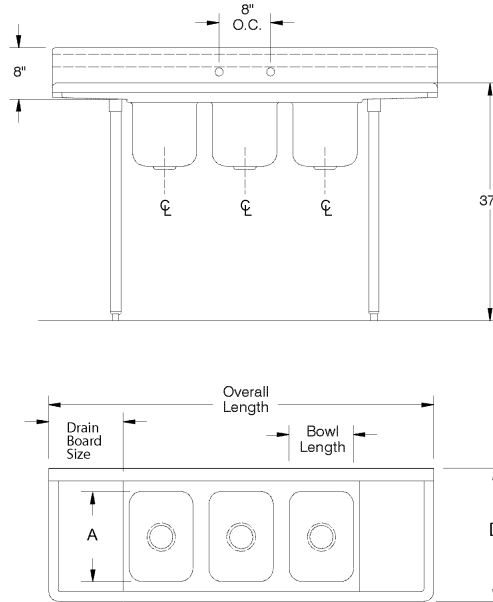
**CORNER SINKS ALSO AVAILABLE. PLEASE SEE "KORNER SINKS" SPECIFICATION SHEET**

|                             |  |  |  |   |
|-----------------------------|--|--|--|---|
| <p>www.advancetabco.com</p> | <p><b>NEW YORK</b><br/>(800) 645-3166<br/>Fax: (631) 242-6900</p>  | <p><b>GEORGIA</b><br/>(800) 832-1218<br/>Fax: (770) 775-5625</p> | <p><b>TEXAS</b><br/>(800) 527-0353<br/>Fax: (972) 932-4795</p> | <p><b>NEVADA</b><br/>(800) 446-8684<br/>Fax: (775) 972-1578</p> |
|                             | <p>For Assistance with Smart Modifications &amp; Accessories Call:  1-800-498-6634 Fax: 631-586-2933 smartfab@advancetabco.com</p> |  |  |   |

# DIMENSIONS and SPECIFICATIONS

TOL Overall: ± .500"  
Interior: ± .250"

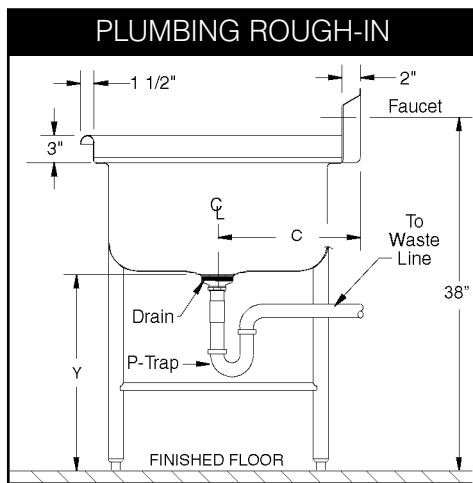
ALL DIMENSIONS ARE TYPICAL



| Configuration | MODEL #    | BOWL (SIZE)          | Overall Length | Drainboard Size | WT** (lbs) | A   | B   | C       | D   | X   | Y   |
|---------------|------------|----------------------|----------------|-----------------|------------|-----|-----|---------|-----|-----|-----|
| STRAIGHT      | K7-CS-19   | 10x14                | 35"            | 11 5/8"         | 60         | 14" | 10" | 10 5/8" | 21" | 10" | 22" |
|               | K7-CS-20   |                      | 45"            | 11 5/8"         | 75         |     |     |         |     |     |     |
|               | K7-CS-21   |                      | 60"            | 11 5/8"         | 85         |     |     |         |     |     |     |
|               | K7-CS-22   |                      | 72"            | 17 5/8"         | 95         |     |     |         |     |     |     |
|               | K7-CS-25*  |                      | 73"            | 11 5/8"         | 160        |     |     |         |     |     |     |
| STRAIGHT      | K7-CS-29   | 14x16                | 72"            | 11 5/8"         | 160        | 16" | 14" | 11 5/8" | 23" | 12" | 22" |
|               | K7-CS-35*  |                      | 89"            | 190             |            |     |     |         |     |     |     |
| STRAIGHT      | K7-CS-32   | 12x20                | 66"            | 11 5/8"         | 110        | 20" | 12" | 13 5/8" | 27" | 12" | 22" |
| KORNER        | 94-K5-11D* | 1) 14x14<br>2) 10x14 | 42"x42"        | 11 5/8"         | 180        |     |     | 10 5/8" | 21" | 10" | 22" |

\* Requires 2 Sets of Faucets

\*\* Approx. Shipping Weights



## MECHANICAL:

- Supply is 1/2" IPS hot & cold.
- Faucet holes on 8" centers.
- Faucets are not included (**see accessories**).
- Waste drains are 1 1/2" IPS S/S basket type, located in center of sink bowl, and are included.

