

The **Unique™** Group FARMER SINKS



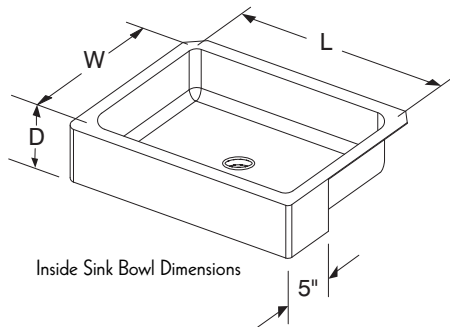
Features:

- 16 Gauge, Type 304 Stainless Steel
- 14 Gauge, Type 304 Stainless Steel front Apron
- Stainless steel 3-1/2" center drain and basket strainer (1-1/2" I.P.S.)
- Sound deadened

| Model | Inside Sink Bowl Dim. | O.A. | Approx. |
|------------|-----------------------|---------|---------|
| | L x W x D | L x W | Wt. |
| FAR-2016RE | 20"x16"x10" | 25"x20" | 30 lbs. |
| FAR-2418RE | 24"x18"x10" | 29"x22" | 33 lbs. |
| FAR-2820RE | 28"x20"x10" | 33"x24" | 40 lbs. |

(1-1/4" flange on all 3 sides. Leave 2" in rear for rear mount faucet or faucet can also be off center.)

12" deep bowl available by special order. Faucet Not Included.



CUSTOM CABINETS REQUIRED

Front cut-out is required on base cabinet to accommodate sink (It is highly recommended that all sinks be on location before cutting the countertop)

Towel Bar Accessory

Convenient towel holder for Farmhouse/Apron Sinks



| Model | Length |
|---------|--------|
| TB-20RE | 20" |
| TB-15RE | 15" |

Professional Stainless Steel Products For Your Home

Toll Free Phone: 866-799-0106 • Toll Free Fax: 866-799-0249

www.alinebyadvancetabco.com