



ALUMINUM
DUNNAGE RACKS

STATIONARY DUNNAGE RACKS



Item #: _____ Qty #: _____
 Model #: _____
 Project #: _____

12" HEIGHT

MODEL #	Width	Length	No. of Legs	Wt.
DUN-2036	20"	36"	4	11 lbs.
DUN-2048	20"	48"	4	12 lbs.
DUN-2060	20"	60"	6	13 lbs.
DUN-2436	24"	36"	4	10 lbs.
DUN-2448	24"	48"	4	13 lbs.
DUN-2460	24"	60"	6	14 lbs.

8" HEIGHT

MODEL #	Width	Length	No. of Legs	Wt.
DUN-2036-8	20"	36"	4	10 lbs.
DUN-2048-8	20"	48"	4	11 lbs.
DUN-2060-8	20"	60"	6	12 lbs.
DUN-2436-8	24"	36"	4	9 lbs.
DUN-2448-8	24"	48"	4	12 lbs.
DUN-2460-8	24"	60"	6	13 lbs.

FEATURES:

- Heavy duty welded construction.
- 1-3/4" square tubing.
- 2000 lb. Load Capacity (Evenly distributed load).

CONSTRUCTION:

- Fully welded 1-3/4" square aluminum tube assembly.
- Legs are 1-3/4" square tubing with Plastic Feet.

MATERIAL:

6063-T52 extruded aluminum tube.

MOBILE DUNNAGE RACKS

FEATURES:

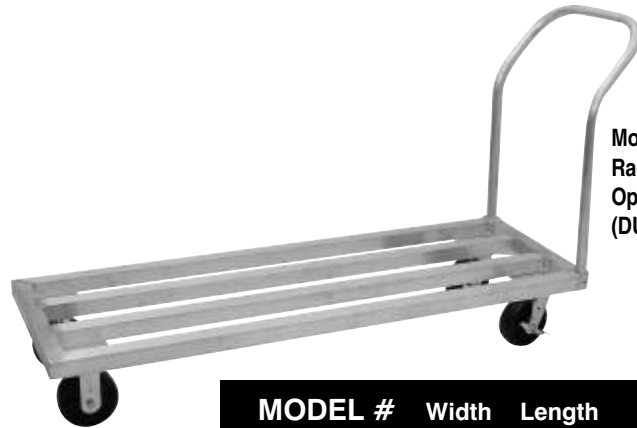
- Heavy duty welded construction.
- 1-3/4" square tubing.
- 6" Heavy Duty Casters.
- Optional Handle (Model # **DUNH-1**)
- 2000 lb. Rolling Load Capacity (Evenly distributed load).

CONSTRUCTION:

- Fully welded 1-3/4" square aluminum tube assembly.
- 6" diameter casters bolted to Base of Mobile Dunnage Rack.
- Optional Handle secures to rack with Locking Set Screws.

MATERIAL:

6063-T52 extruded aluminum tube.



Mobile Dunnage Rack Shown with Optional Handle (DUNH-1)

MODEL #	Width	Length	Wt.
DUN-2036C	20"	36"	35 lbs.
DUN-2048C	20"	48"	40 lbs.
DUN-2060C	20"	60"	45 lbs.

Accessory	Model #	Wt.	Qty
Mobile Dunnage Rack Handle	DUNH-1	7 lbs.	



NEW YORK
 (800) 645-3166
 Fax: (631) 242-6900

GEORGIA
 (800) 832-1218
 Fax: (770) 775-5625

TEXAS
 (800) 527-0353
 Fax: (972) 932-4795

NEVADA
 (800) 446-8684
 Fax: (775) 972-1578

For Assistance with
 Smart Modifications & Accessories Call:

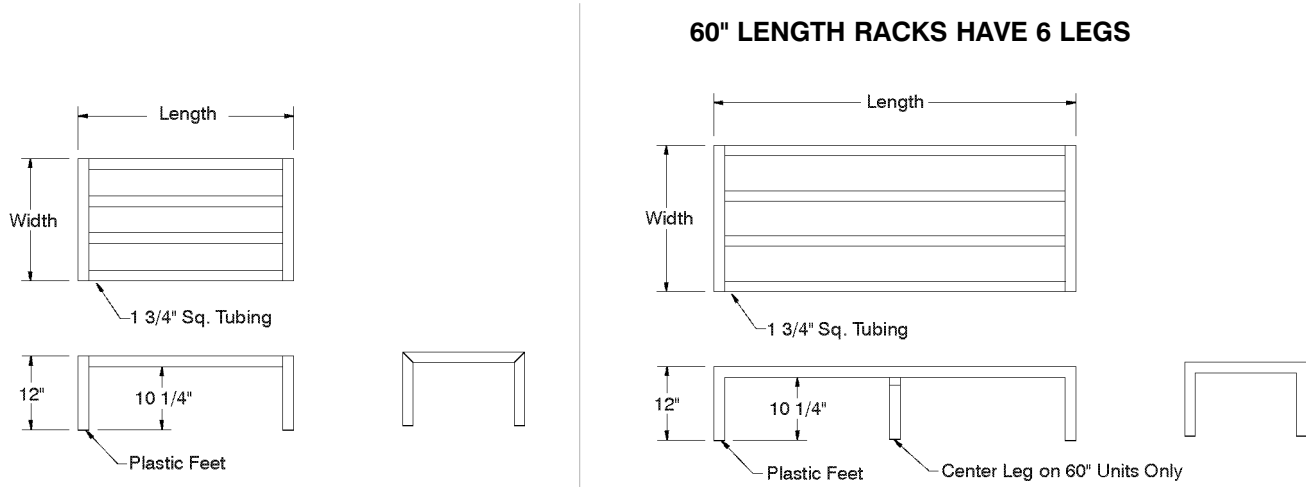
1-800-498-6634 Fax: 631-586-2933
 smartfab@advancetabco.com

DIMENSIONS and SPECIFICATIONS

TOL \pm .500"

ALL DIMENSIONS ARE TYPICAL

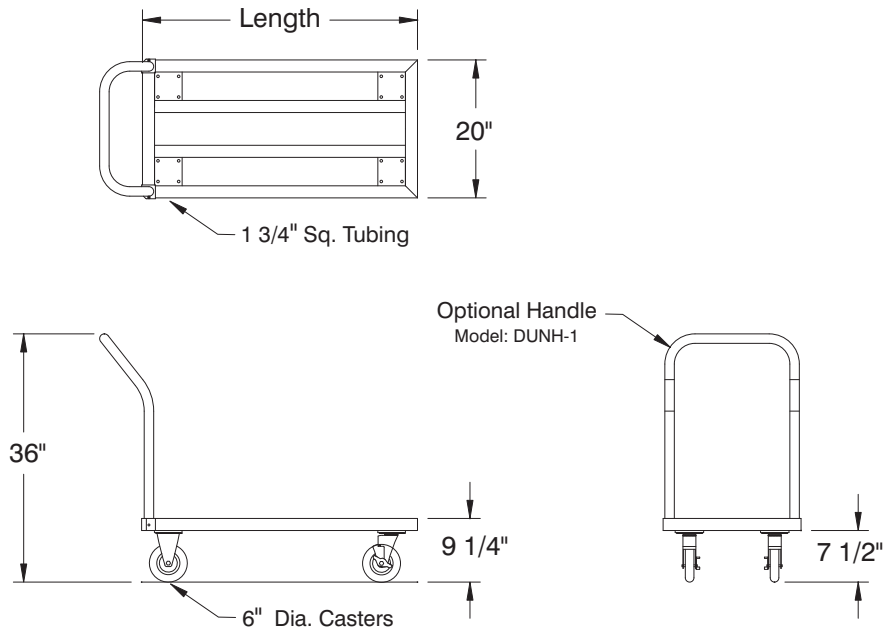
STATIONARY DUNNAGE RACKS



60" LENGTH RACKS HAVE 6 LEGS

WIDTH = 20" or 24"

MOBILE DUNNAGE RACKS



LENGTH = 36", 48" or 60"

